

Customer Information Sheet

DRAWING No.: M80-530XXX

IF IN DOUBT - ASK

©

NOT TO SCALE

THIRD ANGLE PROJECTION

ALL DIMENSIONS IN mm

SPECIFICATIONS:

MATERIAL:

MOULDING = GLASS-FILLED PPS,
UL94V-0, BLACK

CONTACT = PHOSPHOR BRONZE

JACKSCREW = STAINLESS STEEL

FINISH: (CONTACTS ALL OVER NICKEL)

05 = GOLD

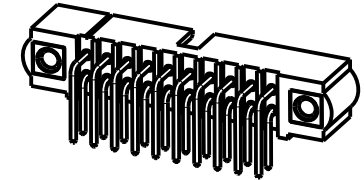
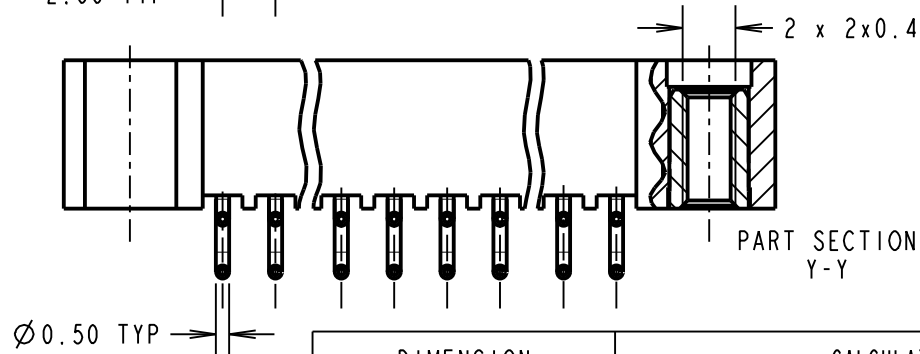
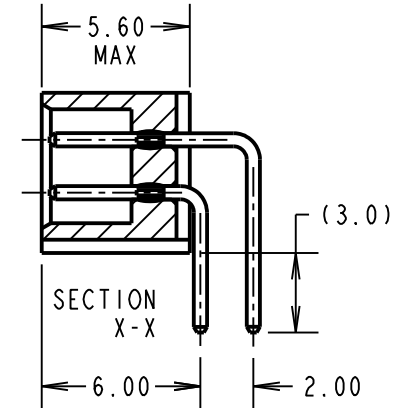
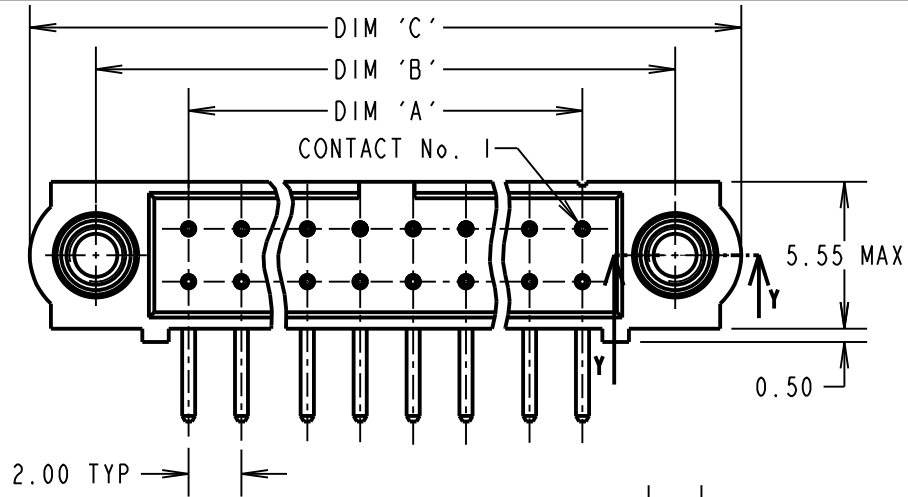
22 = GOLD ON CONTACT AREA,
90/10 TIN/LEAD ON TAILS

42 = GOLD ON CONTACT AREA,
100% TIN ON TAILS

PACKING:

TUBE

FOR COMPLETE SPECIFICATION, SEE
COMPONENT SPECIFICATION C005XX
(LATEST ISSUE)



NOTES:

1. RECOMMENDED PCB HOLE
SIZE = $\varnothing 0.70 \pm 0.05$ mm.

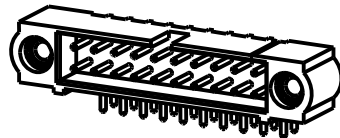
ORDER CODE:

M80-530XXX

No. OF CONTACTS
04 TO 50
(EVEN NUMBERS ONLY)

FINISH

05 - 100% GOLD
22 - SELECTIVE GOLD + TIN/LEAD
42 - SELECTIVE GOLD + 100% TIN
OVER NICKEL



DIMENSION	CALCULATION
DIM 'A'	TOTAL No. OF CONTACTS - 2
DIM 'B'	TOTAL No. OF CONTACTS + 5
DIM 'C'	TOTAL No. OF CONTACTS + 10

EXAMPLE: CONNECTOR WITH 20 CONTACTS, GOLD CLIP
AND 100% TIN SHELL, M80-5302042
DIM 'A' = 18.00mm, DIM 'B' = 25.00mm, DIM 'C' = 30.00mm

MGP	4	27.01.22	31340
NAME	ISS.	DATE	CN/CO
APPROVED: MGP			
CHECKED: MR			
DRAWN: W. J. BOURNE			
CUSTOMER REF.:			
ASSEMBLY DRG:			

HARWIN

www.harwin.com
technical@harwin.com

THIS DRAWING AND ANY
INFORMATION OR DESCRIPTIVE
MATTER SET OUT HEREON ARE
CONFIDENTIAL AND COPYRIGHT
PROPERTY OF THE HARWIN
GROUP AND MUST NOT BE
DISCLOSED, LOANED, COPIED
OR USED FOR MANUFACTURING,
TENDERING OR FOR ANY
OTHER PURPOSE WITHOUT
THEIR WRITTEN PERMISSION.

TOLERANCES
X. = ± 1 mm
X.X = ± 0.50 mm
X.XX = ± 0.20 mm
X.XXX = ± 0.01 mm
ANGLES = $\pm 5^\circ$
UNLESS STATED

MATERIAL:
SEE ABOVE
FINISH: SEE ABOVE
S/AREA: mm²

TITLE: DATAMATE J-TEK
MALE DIL HORIZONTAL PC TAIL
WITH JACKSCREW

DRAWING NUMBER:
M80-530XXX

SHT
2 OF 2

Mouser Electronics

Authorized Distributor

Click to View Pricing, Inventory, Delivery & Lifecycle Information:

Harwin:

[M80-5305022](#) [M80-5302022](#) [M80-5302622](#) [M80-5303422](#) [M80-5301022](#) [M80-5305042](#) [M80-5301442](#) [M80-5300642](#) [M80-5301042](#) [M80-5302642](#) [M80-5303442](#) [M80-5302042](#) [M80-5304422](#) [M80-5304242](#) [M80-5300842](#) [M80-5301422](#) [M80-5300622](#) [M80-5301222](#) [M80-5301242](#) [M80-5301822](#) [M80-5301842](#) [M80-5300605](#) [M80-5303022](#) [M80-5301642](#) [M80-5301805](#) [M80-5305005](#) [M80-5301005](#) [M80-5301605](#) [M80-5302405](#) [M80-5303042](#) [M80-5302422](#) [M80-5300422](#) [M80-5301622](#)