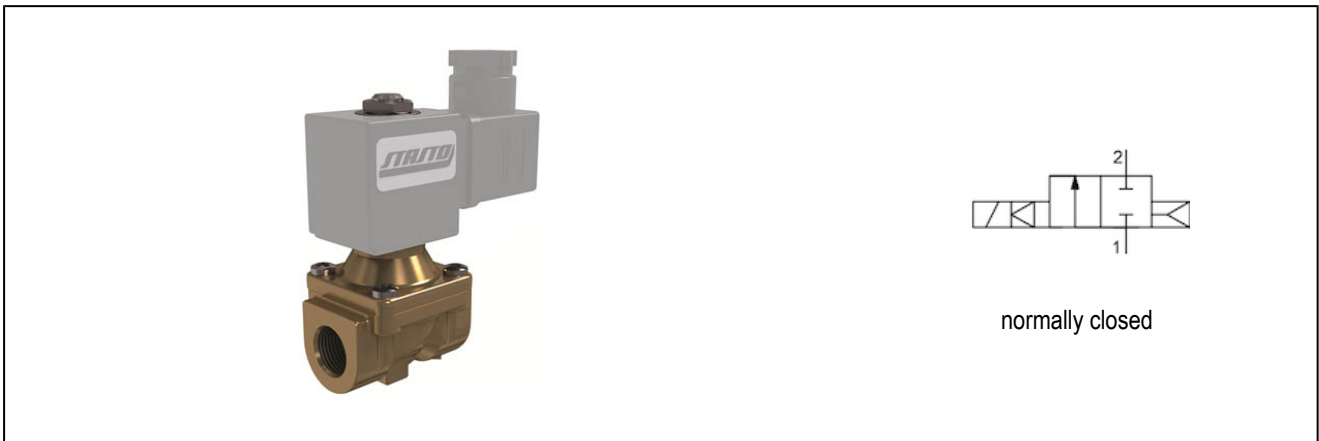


## 2/2 - way solenoid valve - pilot-operated series SL200



design	2/2-way solenoidvalve with diaphragm, pilot-operated, normally closed
connection	G3/8"...G1/2" according to ISO228/1
materials	body brass, tube stainless steel one-piece, inner parts brass and stainless steel similar to AISI 430F, diaphragm material NBR, EPDM or FKM
application	gaseous and liquid fluids which do not affect the used materials
viscosity	max. 12mm <sup>2</sup> /s (cst)
switching time	depending on operating pressure and media
medium temperature	depending on material of seal and coil
ambient temperature	see table "coil"
type of fixing	installed into rigid pipework
mounting position	any
electrical data	
type of coil	type BDA, connector size 32mm (standard coil) type BDV, connector size 32mm (coil for humid area) type GDH/GDV, connector size 32mm (coil for higher pressures, coil for humid area)
electrical connection	connector acc. to EN175301-803-form A (see separate datasheet)
type of current	AC and DC
standard voltage	230V/50-60Hz, 24V/50-60Hz, 24VDC
special voltage	12...380V/50Hz or 60Hz, 12...220VDC
acceptable voltage tolerance	AC +10%/-15%, DC +10%/-5%
power consumption	see to the table "power consumption of coils"
duty cycle	100% duty cycle (continuous operation)
protection class	IP65 according to EN 60529 for a correctly mounted connector (protection against the penetration of dust and jet water)
direction for use	please specify voltage and type of current by order. we always recommend connecting a strainer in front of the valve, otherwise malfunction can occur in the event of contaminated medium. this valves can be used also for low vacuum with a minimum differential pressure of 0,1 bar.

## type code

		SL200 - 38 - V - A S 01 - 01				
<b>type</b>		SL200				
<b>connection</b>	G3/8"		38			
	G1/2"		12			
<b>seal</b>	standard seal NBR - blank position					
	EPDM			E		
	FKM			V		
<b>coil</b>	without coil - blank position					
	BDA standard coil - approval CE				A	
	BDV coil for humid area - approval CE-CSA-UL-VDE				C	
	GDH coil for higher pressures - coil for humid area - approval CE				D	
	GDV coil for higher pressures - coil for humid area - approval CE-CSA-UL-VDE				E	
<b>connector</b>	without connector - blank position					
	standard				S	
	with integrated LED-yellow and VDR				L	
	with moulded PVC-cable (2 m)				M	
<b>voltage</b>	220-230V/50-60Hz					01
	230V/50-240V/60Hz					02
	24VDC					03
	24V/50-60Hz					04
	12VDC					05
	48VDC					06
	110VDC					07
	220VDC					08
	42V/50Hz					10
	48V/50Hz					11
	110V/50-60Hz					13
	110V/50-120V/60Hz					14
	380V/50-60Hz					16
	220-240V/50-60Hz					20
<b>special version</b>	described in the article description					01

## application of the individual seal materials

material	medium temperature	examples of use
NBR	-10...90°C	air, water, neutral gases and liquids
EPDM	-10...140°C	hot water, steam, oxygen
FKM	-10...140°C	oils, petrol, diesel

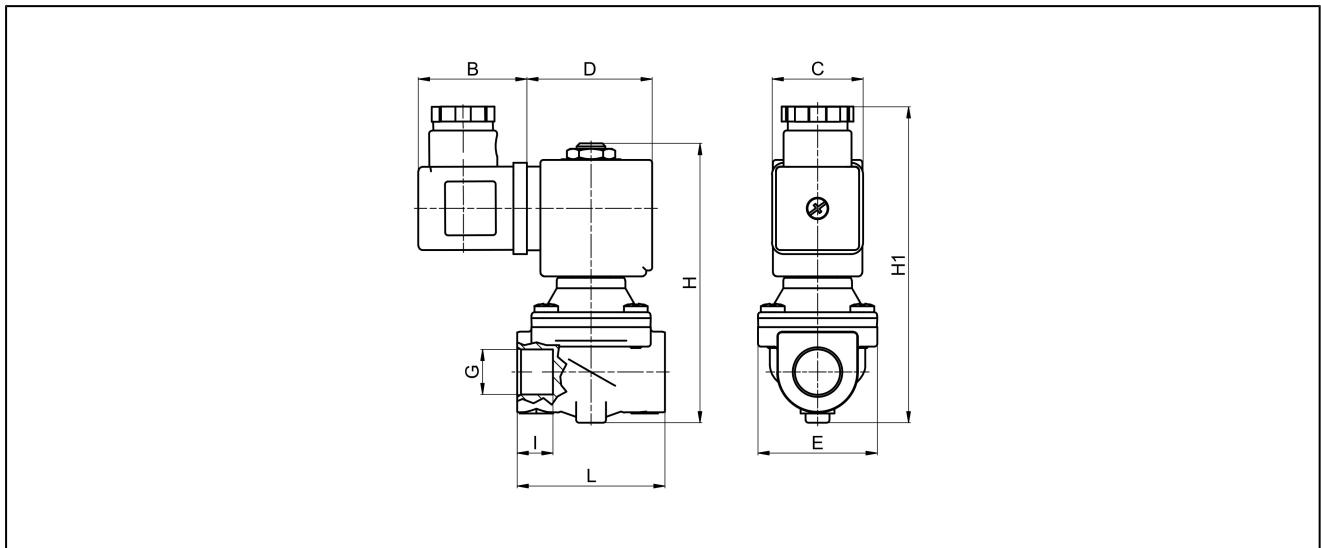
## coils

type	protection class	use	ambient temperature	approvals
BDA	IP65	medium temperature up to max. 120°C	-10...+40°C	CE
BDV	IP65	medium temperature up to max. 180°C, high humidity	-20...+60°C	CE-CSA-UL-VDE
GDV.....S	IP65	medium temperature up to max. 180°C, high humidity	-20...+60°C	CE
GDV.....Y	IP65	medium temperature up to max. 180°C, high humidity	-20...+60°C	CE-CSA-UL-VDE
GDH	IP65	medium temperature up to max. 180°C, high humidity	-20...+40°C	CE

## power consumptions of the coils

voltage	inrush power (AC) VA	holding power (AC) VA	holding power (direct current) at operating temperature W	type
12VDC	-	-	11	BDA08012CS
24V/50-60Hz	25	14,5	-	BDA08024DS
24VDC	-	-	11	BDA08024CS
42V/50Hz	25	14,5	-	BDA08042AS
48V/50Hz	25	14,5	-	BDA08048AS
110V/50-60Hz	25	14,5	-	BDA08110DS
110VDC	-	-	8	BDA08110CS
220-230V/50-60Hz	25	14,5	-	BDA08223DS
380V/50-60Hz	25	14,5	-	BDA08380DS
24V/50-60Hz	38,5	17	-	BDV08024DY
24VDC	-	-	11	BDV08024CY
110V/50Hz 120V/60Hz	36,1	15	-	BDV08110AY
230V/50Hz 240V/60Hz	25	16	-	BDV08230AY
12VDC	-	-	23	GDH14012CS
24V/50-60Hz	59,5	27	-	GDV14024DY
24VDC	-	-	14	GDV14024CY
48VDC	-	-	14	GDH14048CS
110V/50Hz 120V/60Hz	57,5	31	-	GDV14110AY
230V/50Hz 240V/60Hz	62	31	-	GDV14230AY
220VDC	-	-	14	GDV14220CS

## dimensions



connection G	nominal diameter DN[mm]	pressure range [bar]		B	C	D	E	H	H1	I	L	kv value [m <sup>3</sup> /h water]	weight [approx. kg]	coil	type
		AC	DC												
G3/8"	12	0,1...20	0,1...10	36	30	42	40	94,5	106	10	50	2,1	0,50	BD.	SL200-38
G3/8"	12	0,1...20	0,1...20	36	52	55	40	94,5	106	10	50	2,1	0,75	GD.	SL200-38
G1/2"	12	0,1...20	0,1...10	36	30	42	40	94,5	106	10	50	2,7	0,50	BD.	SL200-12
G1/2"	12	0,1...20	0,1...20	36	52	55	40	94,5	106	10	50	2,7	0,75	GD.	SL200-12

illustrations are non-binding  
all designs, configurations, measurements and materials are subject to change without prior notice