

STD series

LED Steady/Flashing Tower light and Electric Horn Combinations



A variety of pre-recorded sound patterns-warning sounds, melodies, and alarms



STD series

- STD series offers pre-recorded sounds
- For the WV(5 Customizable sounds) type, input audio messages needs to be provided by the customer prior to manufacturing



STDL is installed at Hi-Pass entrance on the expressway.

STDL LED Steady/Flashing Tower Light & Electric Horn

- LED steady/flashing mode
- Available in customized color arrangements
- Flashing rate : 60-80 flashes/min
- Ø80mm stackable light and electric horn combination provides both audible and visual signaling capability in one unit
- Can select the proper tone from a variety of built-in sound options to fit your application needs
- WV type : Input audio messages needs to be provided by the customer prior to manufacturing
- Multiple stacked light segments conserve space
- Standard color arrangements
 - 1 Layer : ● R-Red
 - 2 Layers : ● R-Red ● G-Green
 - 3 Layers : ● R-Red ● A-Amber ● G-Green
 - 4 Layers : ● R-Red ● A-Amber ● G-Green ● B-Blue
 - 5 Layers : ● R-Red ● A-Amber ● G-Green ● B-Blue ● W-Clear White
- Materials : Lens-AS, Housing-ABS, Reflector-Heat resistant ABS
- Ambient operating temperature : -30°C to +50°C
- Protection ratings : IP54
- Certificates : CE Compliant
- Compliant with RoHS directive

Specifications

Model number	Layer	Voltage	Current	Sound Pattern and Volume	Certificates	Weight	Color
STDL Steady STDLF Steady/ Flashing	1	AC/DC12V	0.380A	<ul style="list-style-type: none"> • WS -5 Warning sounds : 105dB • WM -5 Melodies : 105dB • WA -5 Alarms : 103dB • WV -5 Customizable sounds : 95dB 	CE DC Only	DC-0.80kg AC-1.39kg	● R-Red
		AC/DC24V	0.330A				
		AC110V	0.115A				
	2	AC/DC12V	0.490A				
		AC/DC24V	0.440A				
		AC110V	0.121A				
	3	AC/DC12V	0.600A				
		AC/DC24V	0.550A				
		AC110V	0.127A				
	4	AC/DC12V	0.710A				
		AC/DC24V	0.660A				
		AC110V	0.133A				
5	AC/DC12V	0.820A					
	AC/DC24V	0.770A					
	AC110V	0.139A					
		AC220V	0.070A			DC-1.05kg AC-1.49kg	● R-Red ● A-Amber ● G-Green
		AC220V	0.061A			DC-1.16kg AC-1.61kg	● R-Red ● A-Amber ● G-Green ● B-Blue
		AC220V	0.067A			DC-1.30kg AC-1.74kg	● R-Red ● A-Amber ● G-Green ● B-Blue ● W-White

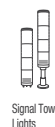
* Please refer to page 22 for detailed information about selectable sound patterns.

Customization

- Customized light sources and light mode

Model number	Lens Diameter	Lens Height	Light Mode	Tower Light Part Model
STD56EL(F)	Ø56mm	40mm	LED Steady/Flashing	ST56EL
STD56L(F)	Ø56mm	70mm	LED Steady/Flashing	ST56L
STDEL(F)	Ø80mm	40mm	LED Steady/Flashing	ST80EL

- Customized color arrangements available
- Wall mount brackets



STD series

LED Steady/Flashing Tower light and Electric Horn Combinations

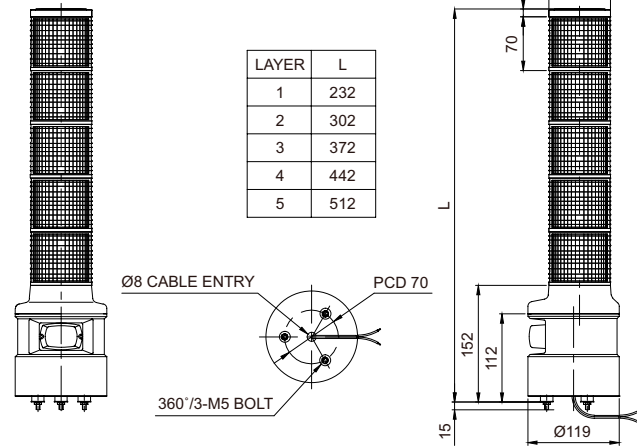


Technical Diagram

(Units : mm)



STDL/ STDLF



Wiring Instructions

- External power line standard : UL1015 AWG18(0.75sq)×2C 400mm
- External signal line standard : UL1007 AWG22(0.3sq) 400mm
- Product can be wired regardless of polarity(Non-polarity)



Do not supply power to each signal line. It may cause damage to the product

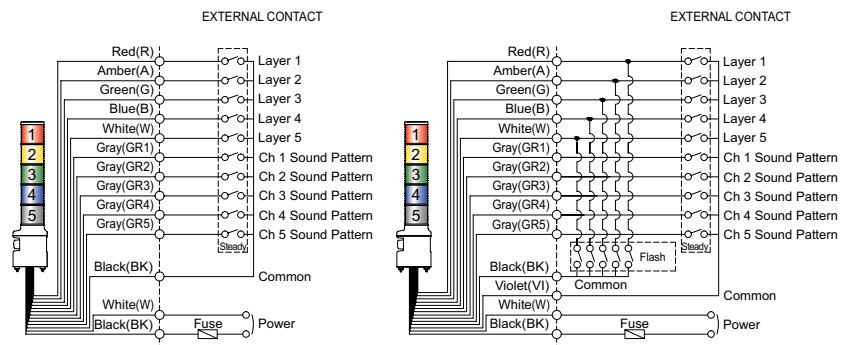
- STDL/ STDLF model wiring can be done with either external contact or external transistors.
- In case of wiring by using transistor, NPN transistor is needed and follow the wiring diagram on the right in order to wire properly.



Wiring Instructions

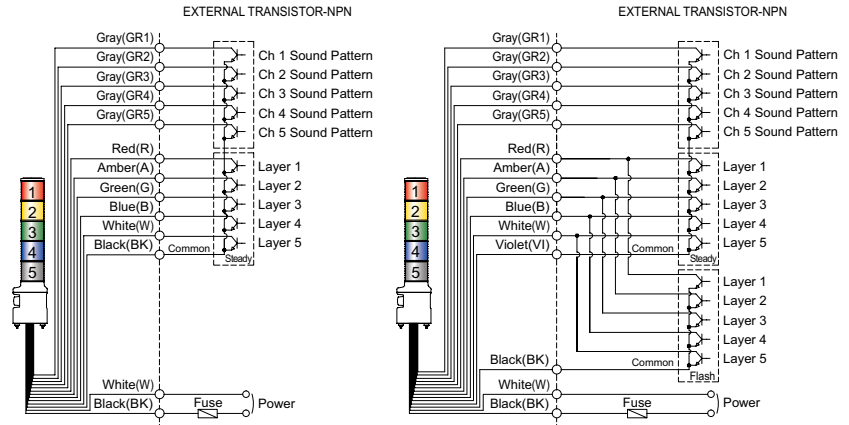
STDL-DC/AC (Steady)

STDLF-DC/AC (Steady/Flashing)



STDL-DC/AC (Steady)

STDLF-DC/AC (Steady/Flashing)



Ordering Specification

STDL	WA	3	220	RAG
[Model number]	[Sound selection]	[Layer]	[Voltage]	[Color]
<ul style="list-style-type: none"> • STDL • STDLF 	<ul style="list-style-type: none"> • WS-Warning • WM-Melody • WA-Alarm • WV-Customizable sound 	<ul style="list-style-type: none"> • 1-1Layer • 2-2Layers • 3-3Layers • 4-4Layers • 5-5Layers 	<ul style="list-style-type: none"> • 12-DC12V • 24-DC24V • 110-AC110V • 220-AC220V 	<ul style="list-style-type: none"> • R-Red • A-Amber • G-Green • B-Blue • W-White