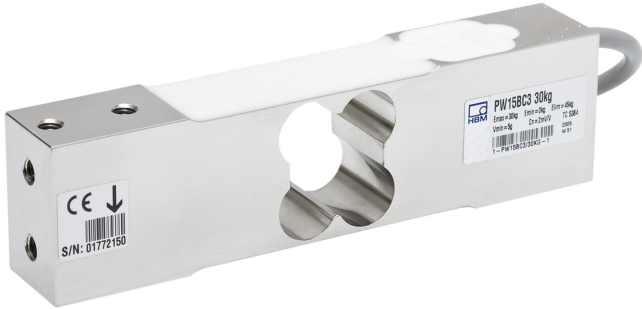


# PW15B...

## Platform load cell

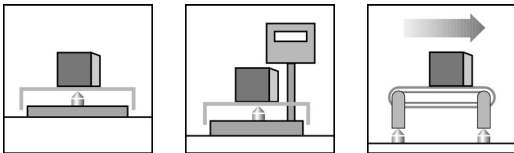
### Special features



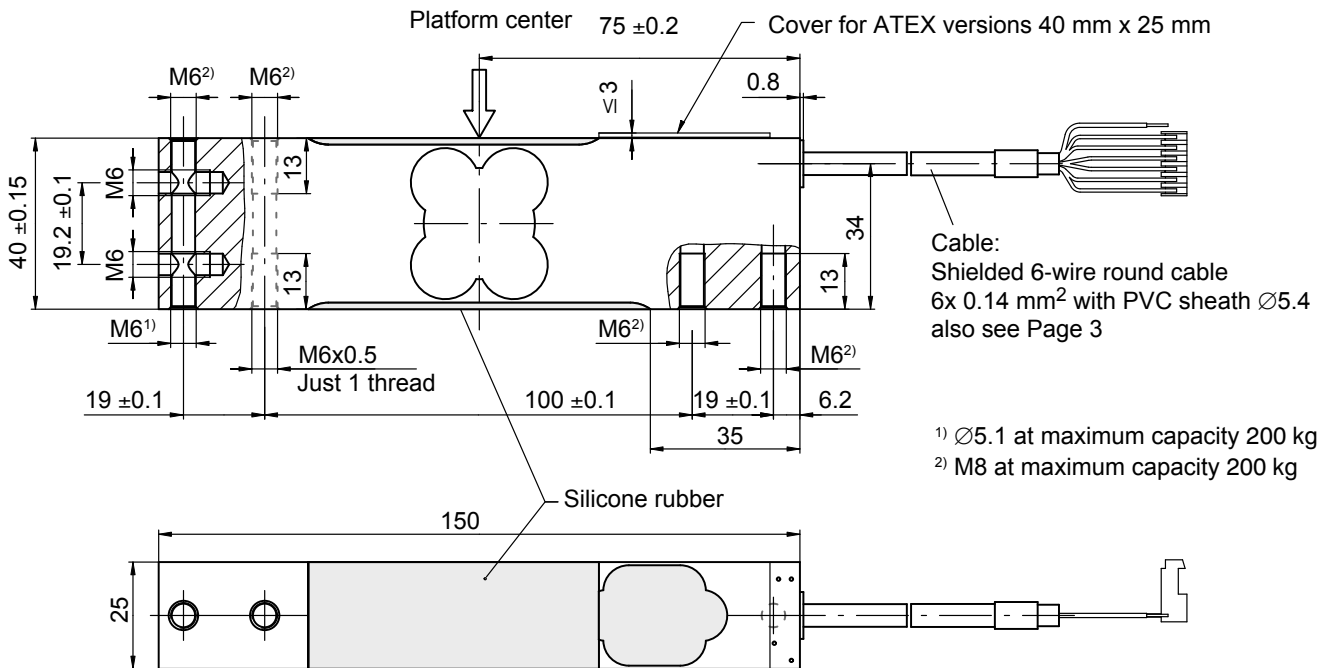
- Stainless steel
- Maximum capacities  
7.5 kg ... 200 kg
- Constricted minimum scale interval ( $v_{min}$ ) for multirange applications
- OIML R60 test report
- Off-center load compensated (OIML R 76)
- Degree of protection IP67 (per EN60529)
- 6-wire configuration
- Meets EMC guidelines (EN 45501)

### Optional:

- Explosion-proof versions
- Various cable lengths
- Aligned output, suitable for parallel connection



### Dimensions (in mm; 1 mm = 0.03937 inches)



# Specifications

Type			PW15B...								
Accuracy class <sup>1)</sup>			C3MR								
Number of scale intervals	$n_{LC}$		3000								
Nominal (rated) load	$E_{max}$	kg	7.5	15	20	30	50	75	100	150	200
Minimum load cell verification interval	$v_{min}$	g	0.5	1	2	2	5	5	10	10	20
Temperature coefficient of zero signal per 10K	$TK_0$	% of $C_n$	± 0.0093	± 0.0093	± 0.0140	± 0.0093	± 0.0140	± 0.0093	± 0.0140	± 0.0093	± 0.0140
Maximum platform size		mm	500 x 400								
Nominal (rated) sensitivity	$C_n$	mV/V	2.0 ± 10% (Option 6: 2.0 mV/V ± 0.1%)								
Zero signal error			± 0.1								
Temperature coefficient of the sensitivity per 10K <sup>2)</sup> in the temperature range +20 ... +40 °C -10 ... +20 °C	$TK_C$	% of $C_n$	± 0.0175 ± 0.0117								
Linearity error <sup>2)</sup>	$d_{lin}$		± 0.0166								
Relative reversibility error <sup>2)</sup>	$d_{hy}$		± 0.0166								
Minimum dead load output return	$MDLOR$		± 0.0166								
Off-center load error <sup>3)</sup>			ppm	≤ 233							
Input resistance	$R_{LC}$	Ω	380 ± 15								
Output resistance	$R_0$		359 ± 5 (Option 6: 359 ± 0.2)								
Reference excitation voltage	$U_{ref}$	V	5								
Nominal (rated) range of the excitation voltage	$B_U$		1 ... 12								
Maximum excitation voltage			15								
Insulation resistance at 100 V <sub>DC</sub>	$R_{is}$		GΩ	> 1							
Nominal (rated) temperature range	$B_T$	°C	-10 ... +40								
Operating temperature range	$B_{tu}$		-10 ... +50								
Storage temperature range	$B_{tl}$		-25 ... +70								
Limit load at maximum 160mm eccentricity	$E_L$	% of $E_{max}$	150								
Limit lateral loading, static	$E_{lq}$		300								
Breaking load	$E_d$		300								
Nominal (rated) displacement <sup>4)</sup> , approx.	$s_{nom}$	mm	0.21	0.2	0.2	0.2	0.18	0.17	0.17	0.17	0.17
Weight, approx.	$G$	kg	1								
Degree of protection per EN 60529 (IEC 529)			IP67								
Cable length (standard)		m	3								
Material: Measuring body			Steel 1.4545 <sup>5)</sup>								
Cover			Silicone rubber								
Cable sheath			PVC								

1) As per OIML R60, with  $P_{LC} = 0.7$ .

2) The values for non-linearity ( $d_{lin}$ ), relative reversibility error ( $d_{hy}$ ) and temperature coefficient of sensitivity ( $TK_C$ ) are recommended values. The sum of these values is within the cumulative error limits laid down by OIML R60.

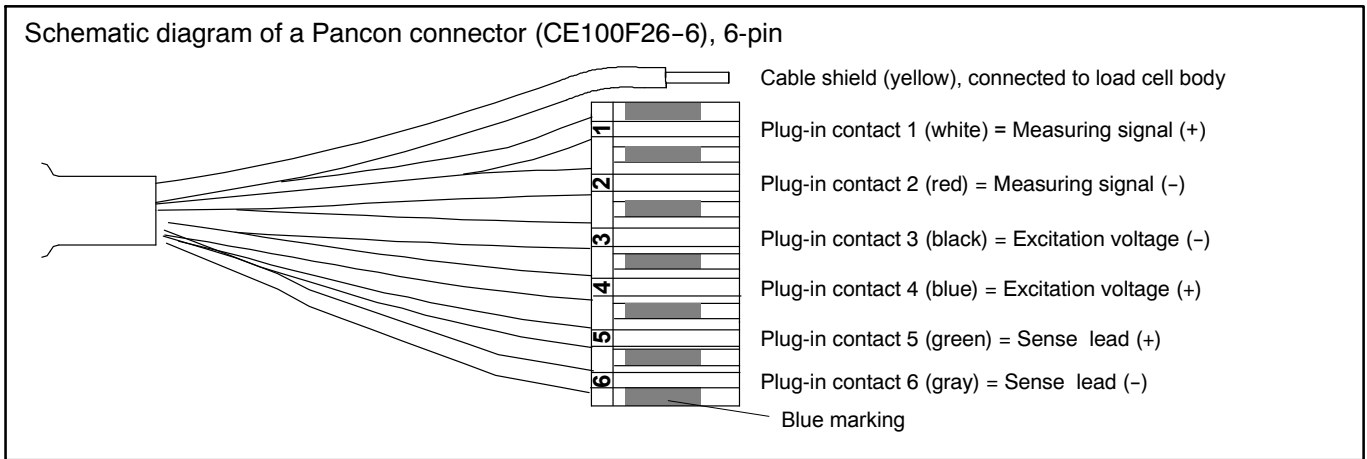
3) As per OIML R76.

4) Loading with  $E_{max}$  and center of gravity in center of load cell.

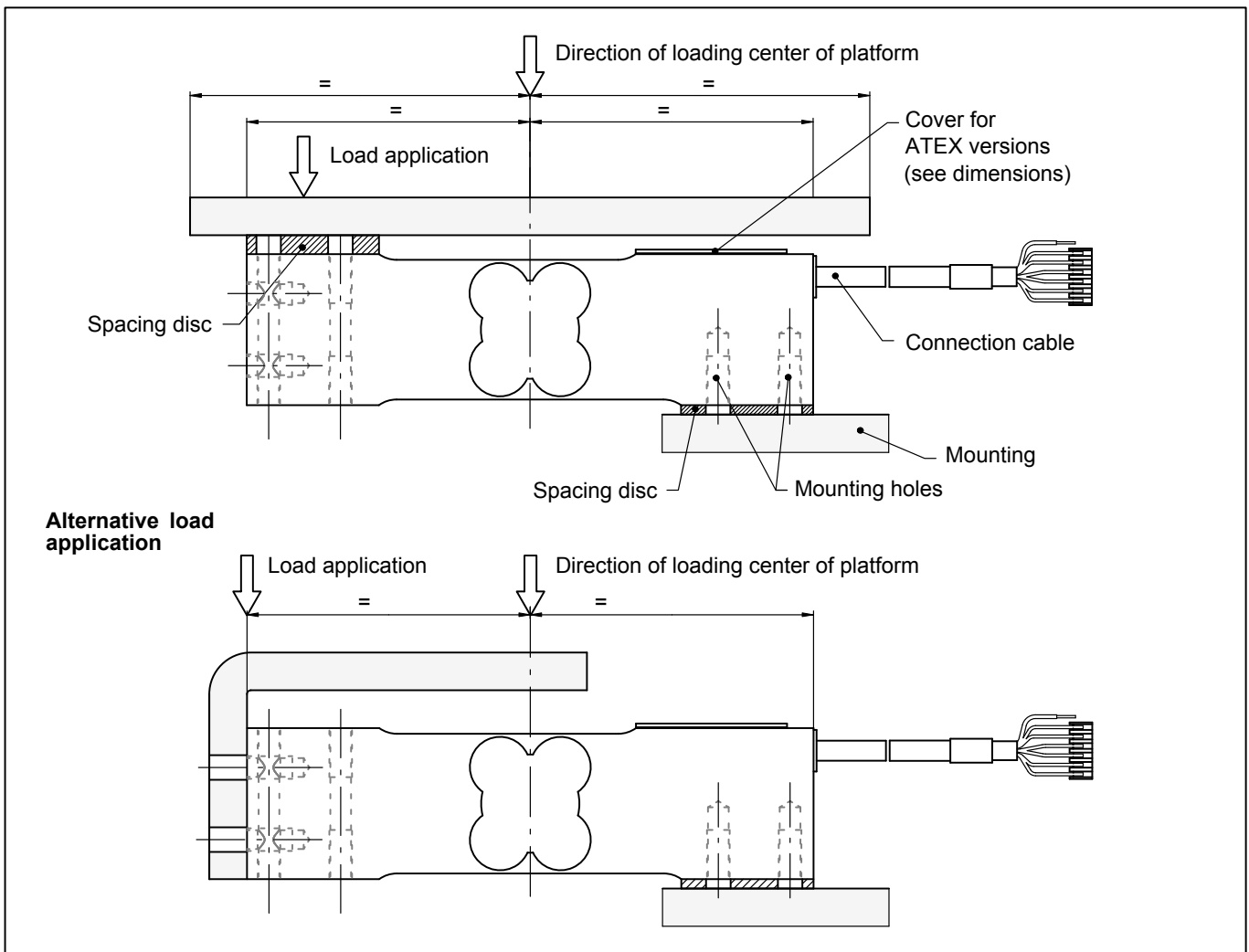
5) As per EN 10088-1.

## Cable assignment

6-wire cable connection (available cable lengths: 1.5 m; 3 m; 6 m, 12 m)



## Mounting instructions





Installation notes		
Maximum capacity	Socket head cap screw	Maximum tightening torque
7.5 kg ... 150 kg	M6 10.9	14 N·m
200 kg	M8 10.9	33 N·m

## Product numbers

Type	PW15B... (stainless steel)	Type	PW15B... (stainless steel)
Accuracy class	C3MR (OIML)	Accuracy class	C3MR (OIML)
Comments	Cable length 3m (six-wire configuration)	Comments	Cable length 3m (six-wire configuration)
Nominal (rated) load	Order number	Nominal (rated) load	Order number
7.5 kg	1-PW15BC3/7.5KG-1	75 kg	1-PW15BC3/75KG-1
15 kg	1-PW15BC3/150KG-1	100 kg	1-PW15BC3/100KG-1
20 kg	1-PW15BC3/20KG-1	150 kg	1-PW15BC3/150KG-1
30 kg	1-PW15BC3/30KG-1	200 kg	1-PW15BC3/200KG-1
50 kg	1-PW15BC3/50KG-1		

## K-PW15B ... (stainless steel), optional versions

Order no.	
K-PW15B	
Code	Option 1: Mechanical design
<b>N</b>	Standard
Code	Option 2: Accuracy class
<b>MR</b>	C3-MR (OIML)
Code	Option 3: Nominal (rated) load
<b>7.5</b>	7.5 kg
<b>15</b>	15 kg
<b>20</b>	20 kg
<b>30</b>	30 kg
<b>50</b>	50 kg
<b>75</b>	75 kg
<b>100</b>	100 kg
<b>150</b>	150 kg
<b>200</b>	200 kg
Code	Option 4: Explosion protection
<b>N</b>	No ATEX
<b>20</b>	ATEX Zone 1 + 20
<b>1+21</b>	ATEX Zone 1 + 21 and FM 
<b>2+22</b>	ATEX Zone 2 + 22 (non-conductive dust) 
Code	Option 5: Cable length
<b>1.5</b>	1.5 m
<b>3</b>	3 m (Standard)
<b>6</b>	6 m
<b>12</b>	12 m
Code	Option 6: Other
<b>N</b>	none
<b>A</b>	2 mV/V 0.1% / 359 Ω ± 0.2 Ω (aligned output, suitable for parallel connection)

K-PW15B- **N** - **MR** -  -  -  -  -  -  -

Modifications reserved.

All product descriptions are for general information only. They are not to be understood as a guarantee of quality or durability and do not constitute any liability whatsoever.

### Hottinger Baldwin Messtechnik GmbH

Im Tiefen See 45 · 64293 Darmstadt · Germany  
 Tel. +49 6151 803-0 · Fax: +49 6151 803-9100  
 Email: [info@hbm.com](mailto:info@hbm.com) · [www.hbm.com](http://www.hbm.com)

measure and predict with confidence

