

HORIZONTAL CLAMPS

- **Features:**

Horizontal clamps are used where height restrictions prevent the use of a Vertical clamp, or where the action of the clamping arm and handle rotating in opposite directions is more suitable.

The geometry of Brauer Horizontal clamps has been designed to ensure that the clamp opens and closes with a smooth and continuous action.

The side plates have been designed so as to provide a guard against mechanism finger trapping.

A comfortable, cushioned PVC handle grip is fitted to all Horizontal clamps.

Horizontal models except H700 and additional products have a closed end to the clamping arm for rigidity of construction and to retain the spindle or setscrew if it should loosen.

- **Specification:**

The main components are of zinc plated and passivated steel.

Rivets are of stainless steel which burnishes and work-hardens with use, the rivets of the larger clamps rotating in hardened bushes or directly in the close-toleranced holes of hardened parts.

HORIZONTAL CLAMPS

H50 SERIES MODEL H50/1B



Arm:
The spindle position is adjustable along the arm.

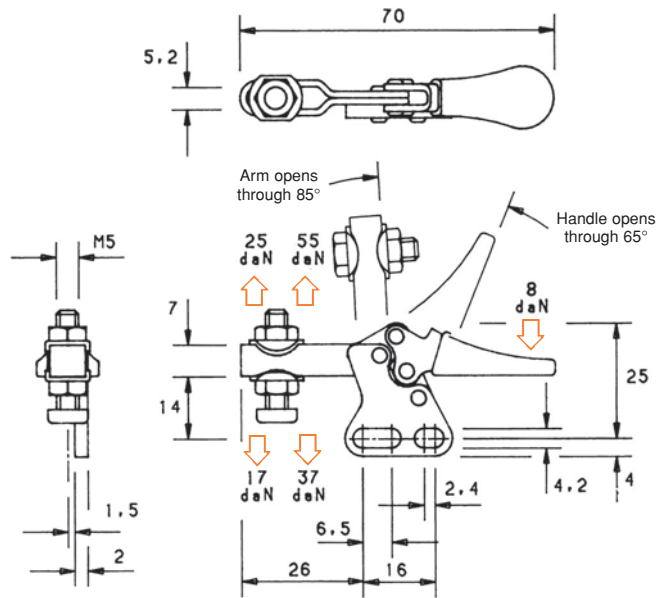
Base:
Straight.

Nominal Holding Force:
50 daN

Weight:
0.033 Kg

Supplied complete with:
MB0520 Setscrew & nuts.
FW05/09 Flanged washers.

See "Accessories" for other items.



H50 SERIES MODEL H50/2B



Arm:
The spindle position is adjustable along the arm.

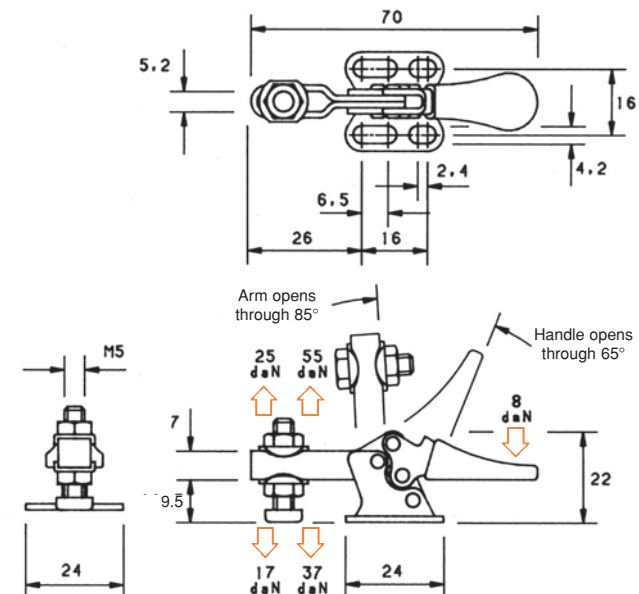
Base:
Flanged.

Nominal Holding Force:
50 daN

Weight:
0.036 Kg

Supplied complete with:
MB0520 Setscrew & nuts.
FW05/09 Flanged washers.

See "Accessories" for other items.



H50 SERIES MODEL H50/2BSS



Arm:
The spindle position is adjustable along the arm.

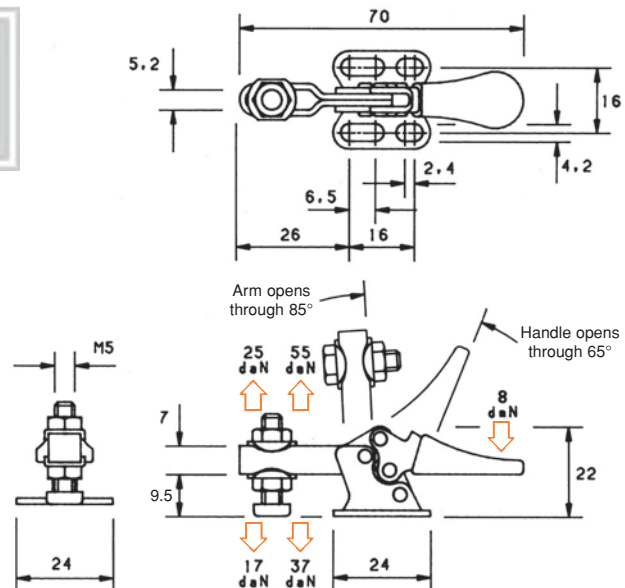
Base:
Flanged.

Nominal Holding Force:
50 daN

Weight:
0.036 Kg

Supplied complete with:
Setscrew & nuts.
Flanged washers.

Material:
BS 304 S15.



HORIZONTAL CLAMPS

H50 SERIES MODEL H50/2C



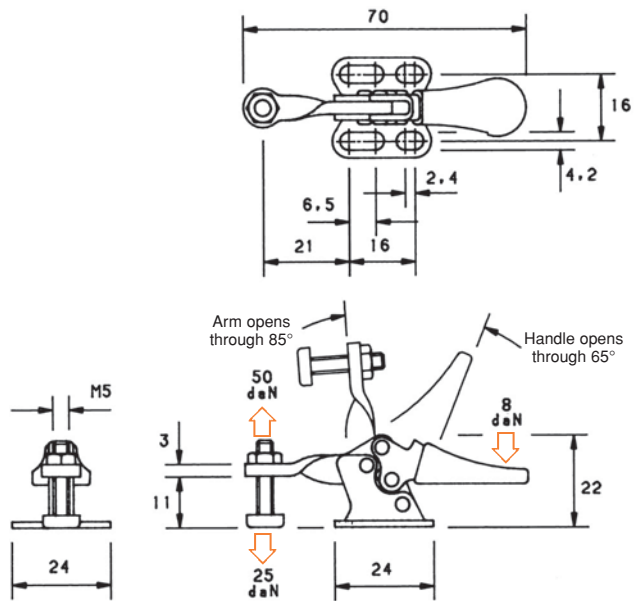
Arm:
The spindle is in a fixed position.

Base:
Flanged.

Nominal Holding Force:
50 daN

Weight:
0.025 Kg

Supplied complete with:
MB0520 Setscrew & nuts.
See "Accessories" for other items.



H50 SERIES MODEL H50/2BL



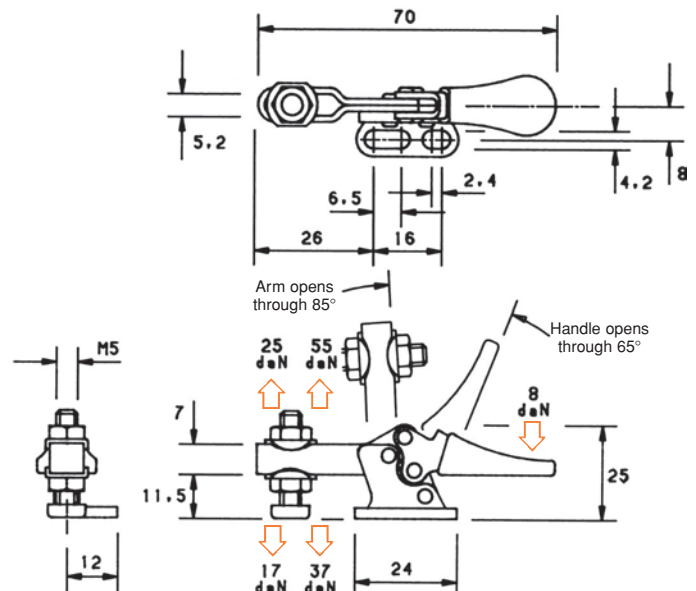
Arm:
The spindle position is adjustable along the arm.

Base:
Left hand flanged.

Nominal Holding Force:
50 daN

Weight:
0.02 Kg

Supplied complete with:
MB0520 Setscrew & nuts.
FW05/09 Flanged washers.
See "Accessories" for other items.



H50 SERIES MODEL H50/2BR



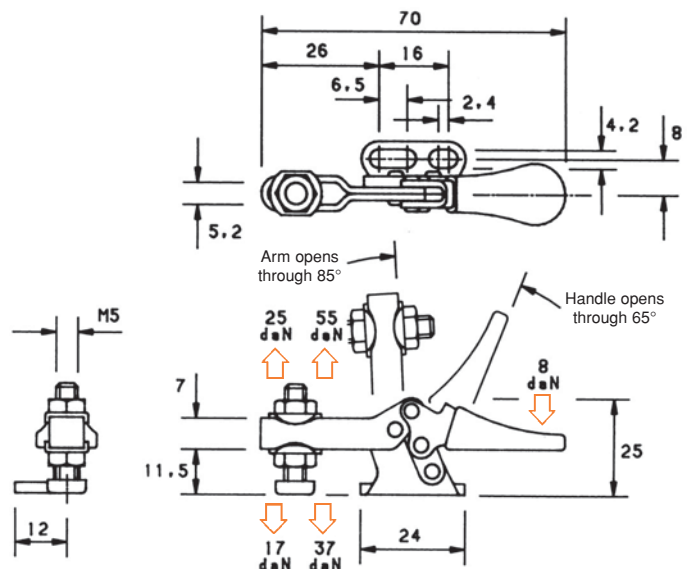
Arm:
The spindle position is adjustable along the arm.

Base:
Right hand flanged.

Nominal Holding Force:
50 daN

Weight:
0.02 Kg

Supplied complete with:
MB0520 Setscrew & nuts.
FW05/09 Flanged washers.
See "Accessories" for other items.



HORIZONTAL CLAMPS

H75 SERIES
MODEL H75/1B



Arm:
The spindle position is adjustable along the arm.

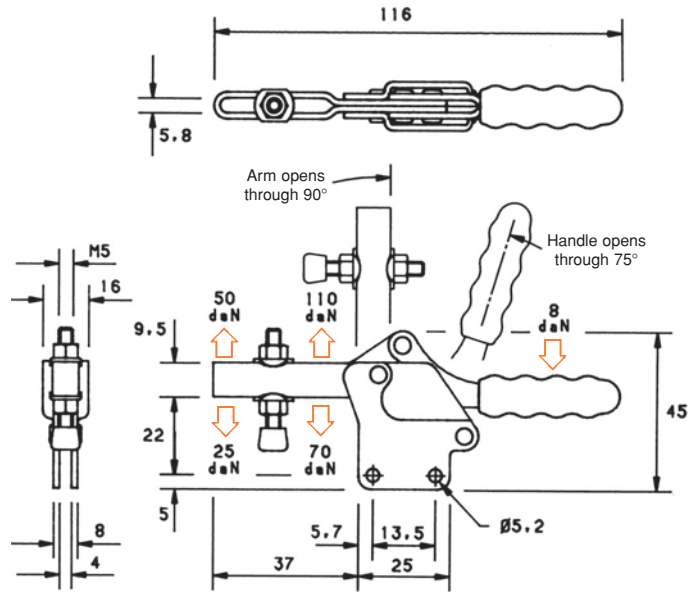
Base:
Straight.

Nominal Holding Force:
75 daN

Weight:
0.10 Kg

Supplied complete with:
MB0535 Setscrew & nuts.
FW05/10 Flanged washers.
NC/05 Neoprene cover.

See "Accessories" for other items.



H75 SERIES
MODEL H75/1BSS

**STAINLESS
STEEL**



Arm:
The spindle position is adjustable along the arm.

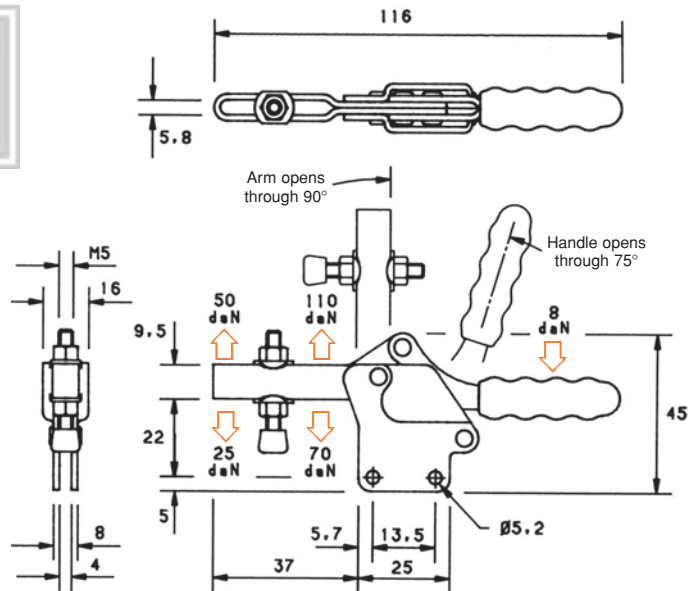
Base:
Straight.

Nominal Holding Force:
75 daN

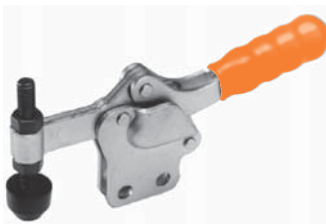
Weight:
0.10 Kg

Supplied complete with:
MB0535 Setscrew & nuts.
FW05/10 Flanged washers.
NC/05 Neoprene cover.

Material:
BS 304 S15.



H75 SERIES
MODEL H75/1C



Arm:
The spindle is in a fixed position.

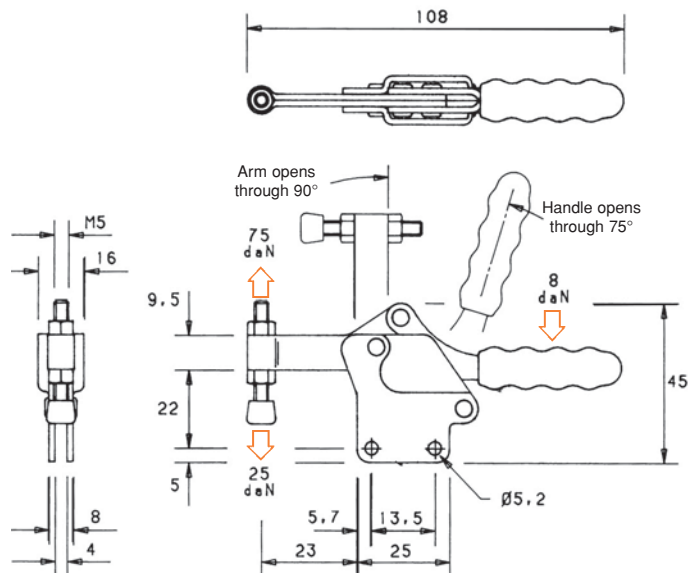
Base:
Straight.

Nominal Holding Force:
75 daN

Weight:
0.10 Kg

Supplied complete with:
MB0535 Setscrew & nuts.
NC/05 Neoprene cover.

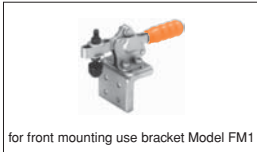
See "Accessories" for other items.



HORIZONTAL CLAMPS

H75 SERIES

MODEL H75/2B



for front mounting use bracket Model FM1



Arm:
The spindle position is adjustable along the arm.

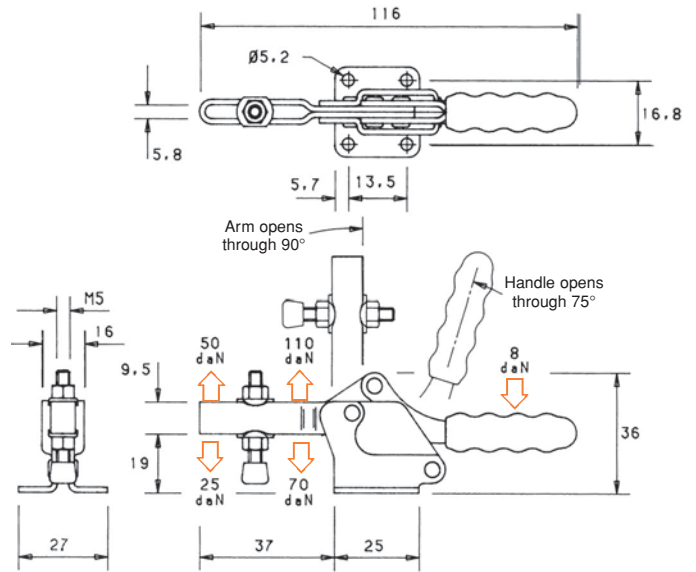
Base:
Flanged.

Nominal Holding Force:
75 daN

Weight:
0.10 Kg

Supplied complete with:
MB0535 Setscrew & nuts.
FW05/10 Flanged washers.
NC/05 Neoprene cover.

See "Accessories" for other items.



H75 SERIES

MODEL H75/2BSS

**STAINLESS
STEEL**



Arm:
The spindle position is adjustable along the arm.

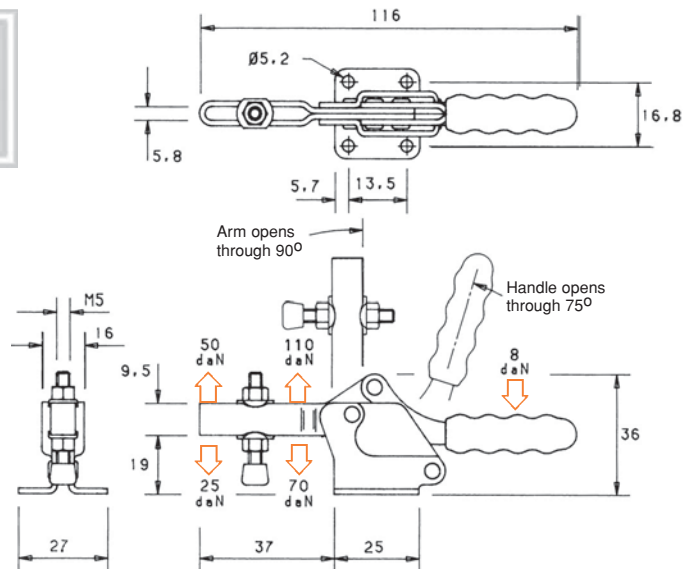
Base:
Flanged.

Nominal Holding Force:
75 daN

Weight:
0.10 Kg

Supplied complete with:
Setscrew & nuts.
Flanged washers.
Neoprene cover.

Material:
BS 304 S15.

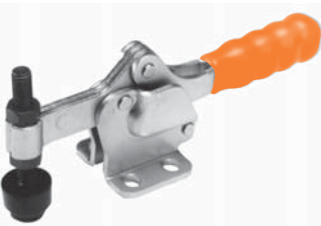


H75 SERIES

MODEL H75/2C



for front mounting use bracket Model FM1



Arm:
The spindle is in a fixed position.

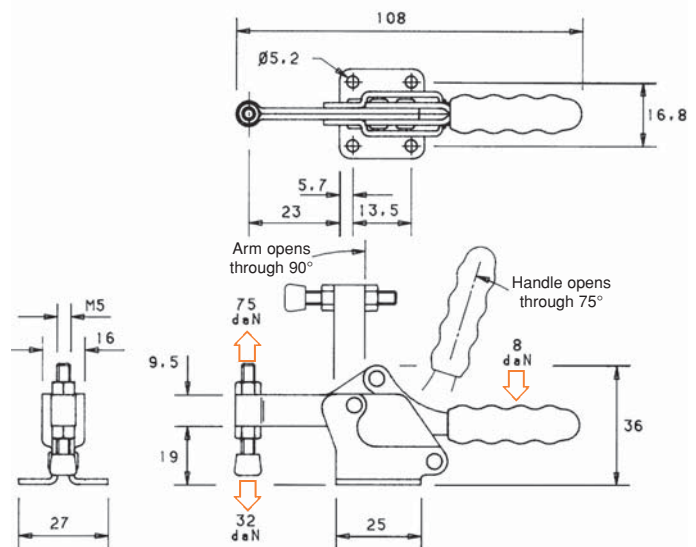
Base:
Flanged.

Nominal Holding Force:
75 daN

Weight:
0.10 Kg

Supplied complete with:
MB0535 Setscrew & nuts.
NC/Neoprene cover.

See "Accessories" for other items.



HORIZONTAL CLAMPS

H150 SERIES

MODEL H150/1B



Arm:
The spindle position is adjustable along the arm.

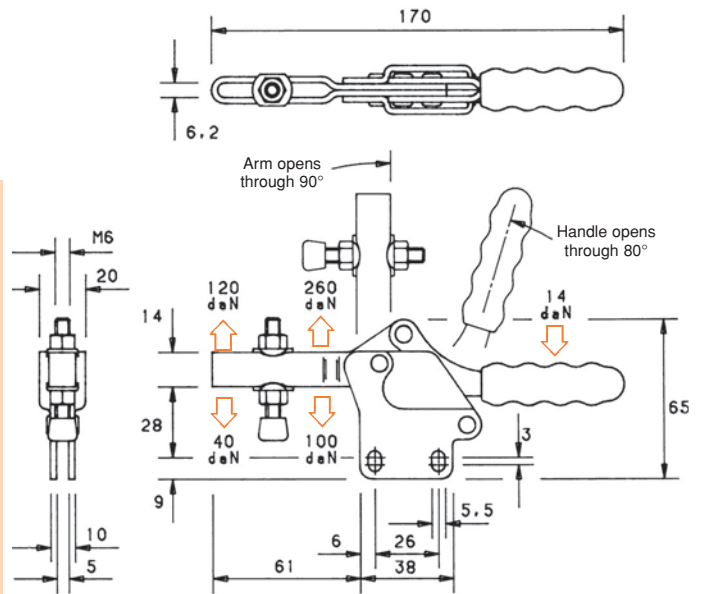
Base:
Straight.

Nominal Holding Force:
150 daN

Weight:
0.25 Kg

Supplied complete with:
MB0650 Setscrew & nuts.
NC/06 Neoprene cover.
FW06/12 Flanged washers.

See "Accessories" for other items.



H150 SERIES

MODEL H150/1BSS

**STAINLESS
STEEL**



Arm:
The spindle position is adjustable along the arm.

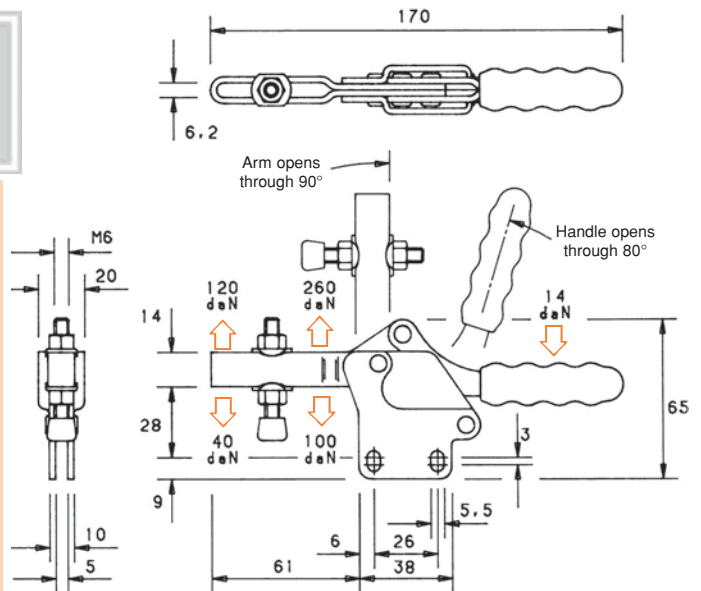
Base:
Straight.

Nominal Holding Force:
150 daN

Weight:
0.25 Kg

Supplied complete with:
MB0650 Setscrew & nuts.
NC/06 Neoprene cover.
FW06/12 Flanged washers.

Material:
BS 304 S15.



H150 SERIES

MODEL H150/1C



Arm:
The spindle is in a fixed position.

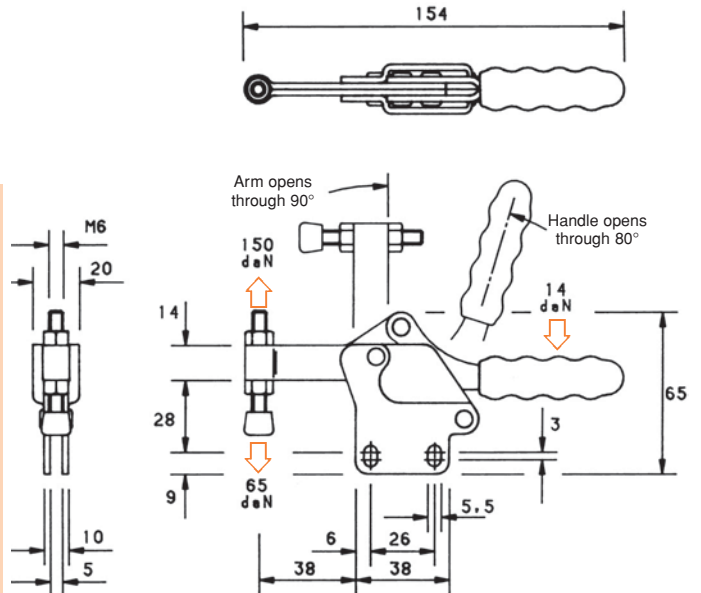
Base:
Straight.

Nominal Holding Force:
150 daN

Weight:
0.25 Kg

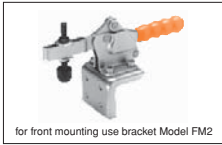
Supplied complete with:
MB0650 Setscrew & nuts.
NC/06 Neoprene cover.

See "Accessories" for other items.



HORIZONTAL CLAMPS

H150 SERIES MODEL H150/2B



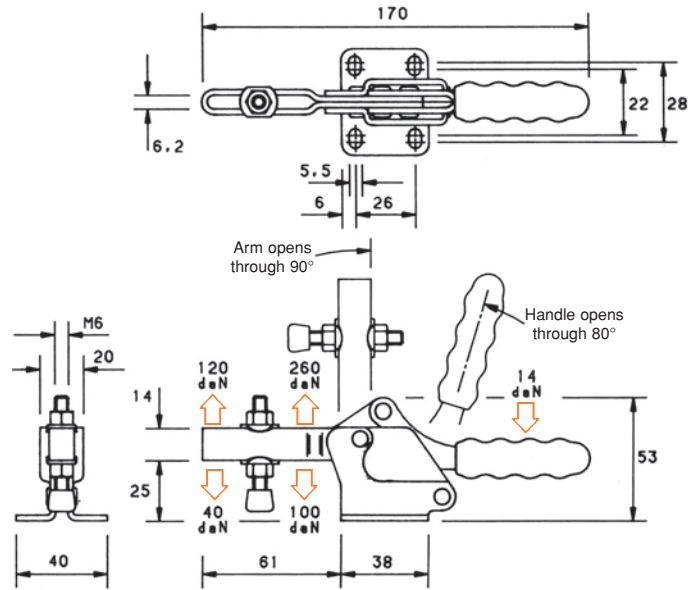
Arm:
The spindle position is adjustable along the arm.

Base:
Flanged.

Nominal Holding Force:
150 daN

Weight:
0.25 Kg

Supplied complete with:
MB0650 Setscrew & nuts.
NC/06 Neoprene cover.
FW06/12 Flanged washers.
See "Accessories" for other items.



H150 SERIES MODEL H150/2BSS



Arm:
The spindle position is adjustable along the arm.

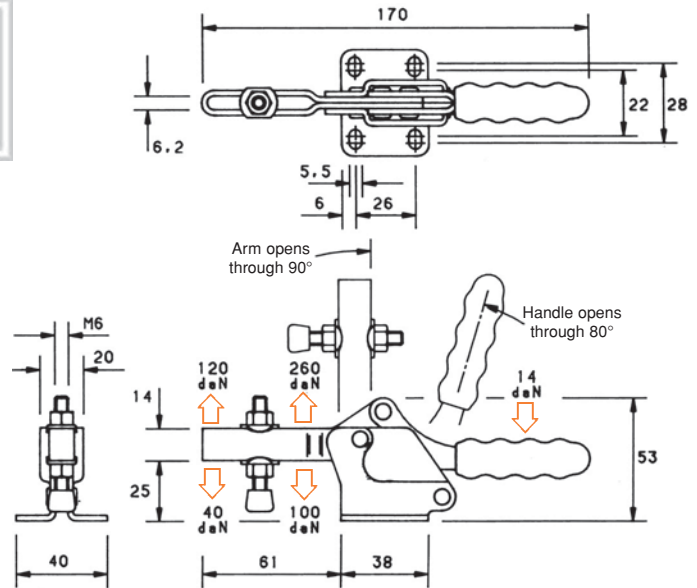
Base:
Flanged.

Nominal Holding Force:
150 daN

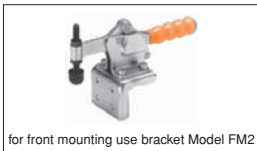
Weight:
0.10 Kg

Supplied complete with:
Setscrew & nuts.
Flanged washers.

Material:
BS 304 S15.



H150 SERIES MODEL H150/2C



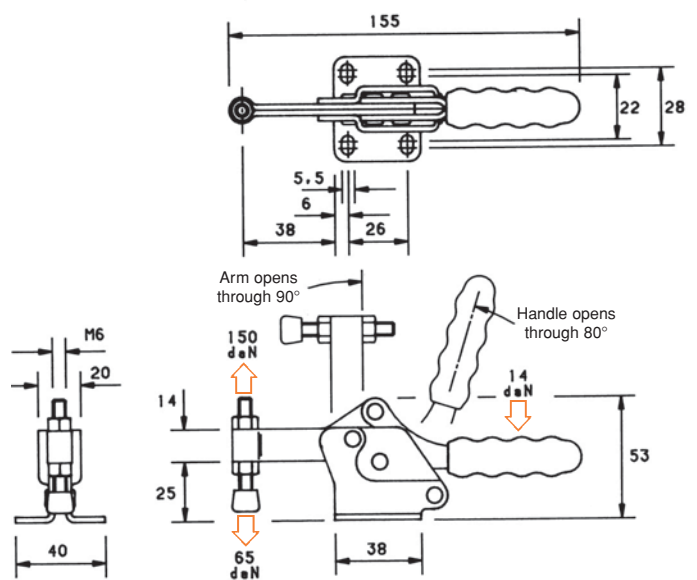
Arm:
The spindle is in a fixed position.

Base:
Flanged.

Nominal Holding Force:
150 daN

Weight:
0.25 Kg

Supplied complete with:
MB0650 Setscrew & nuts.
NC/06 Neoprene cover.
See "Accessories" for other items.



HORIZONTAL CLAMPS

H250 SERIES

MODEL H250/1A



Arm:
2-piece "solid" arm with spindle retainer supplied loose for welding in the desired position.

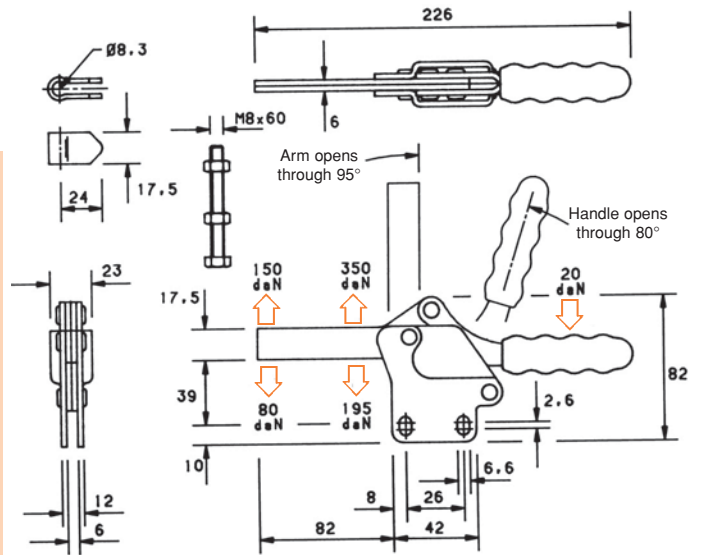
Base:
Straight.

Nominal Holding Force:
250 daN

Weight:
0.50 Kg

Supplied complete with:
MB0860 Setscrew & nuts.
R/08 Spindle retainer.

See "Accessories" for other items.



H250 SERIES

MODEL H250/1AL



Arm:
Solid arm with spindle retainer supplied loose for welding in the desired position. 10mm added to arm length over H250/1A model.

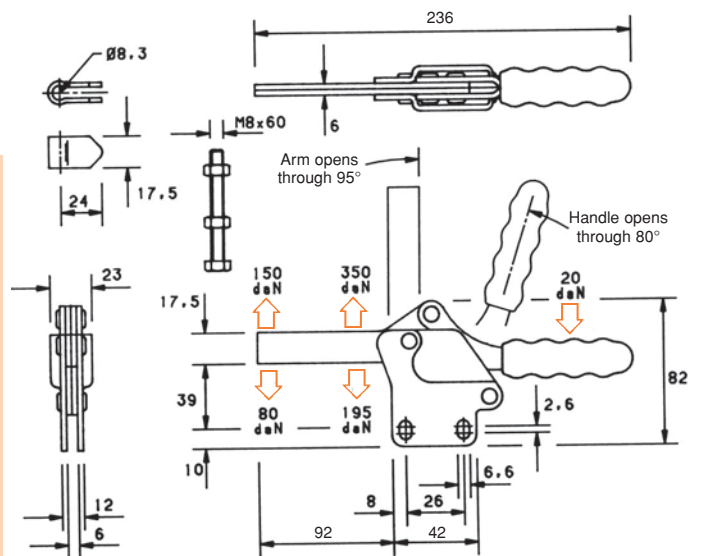
Base:
Straight.

Nominal Holding Force:
250 daN

Weight:
0.50 Kg

Supplied complete with:
MB0860 Setscrew & nuts.
R/08 Spindle retainer.

See "Accessories" for other items.



H250 SERIES

MODEL H250/1B



for "T" Bar Accessory order Model T250



Arm:
The spindle position is adjustable along the arm.

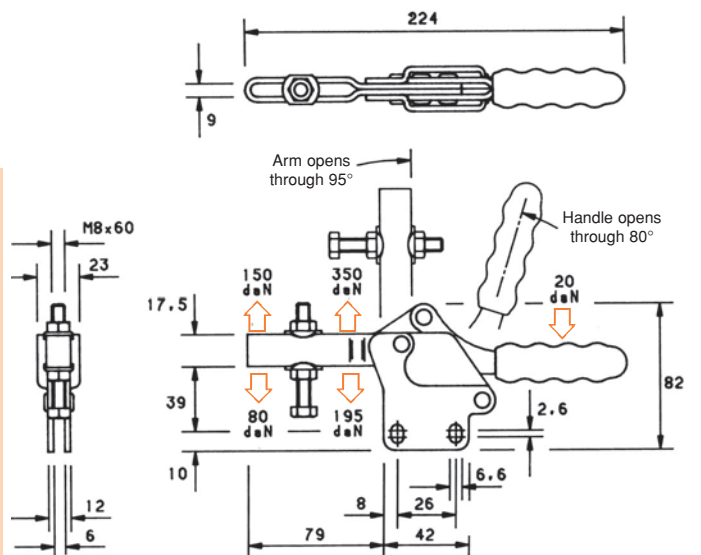
Base:
Straight.

Nominal Holding Force:
250 daN

Weight:
0.50 Kg

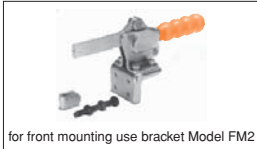
Supplied complete with:
MB0860 Setscrew & nuts.
FW08/15 Flanged washers.

See "Accessories" for other items.



HORIZONTAL CLAMPS

H250 SERIES MODEL H250/2A



Arm:
2-piece "solid" arm with spindle retainer supplied loose for welding in the desired position.

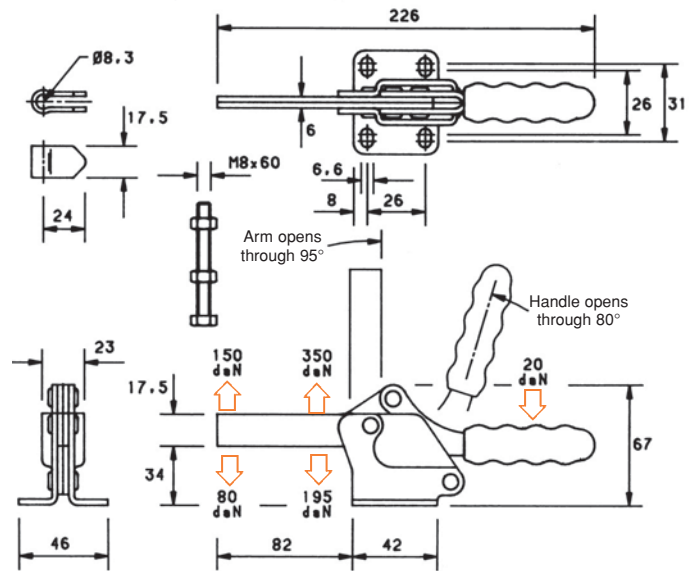
Base:
Flanged.

Nominal Holding Force:
250 daN

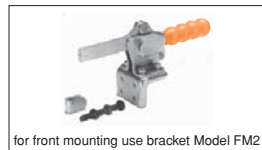
Weight:
0.50 Kg

Supplied complete with:
MB0860 Setscrew & nuts.
R/08 Spindle retainer.

See "Accessories" for other items.



H250 SERIES MODEL H250/2AL



Arm:
Solid arm with spindle retainer supplied loose for welding in the desired position. 10mm added to arm length over H250/2A model.

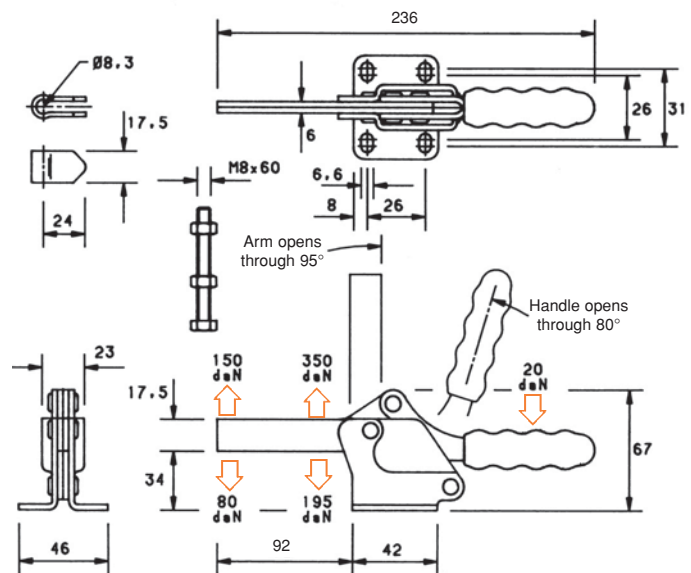
Base:
Flanged.

Nominal Holding Force:
250 daN

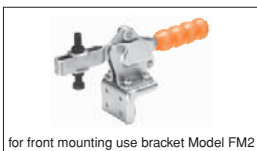
Weight:
0.50 Kg

Supplied complete with:
MB0860 Setscrew & nuts.
R/08 Spindle retainer.

See "Accessories" for other items.



H250 SERIES MODEL H250/2B



Arm:
The spindle position is adjustable along the arm.

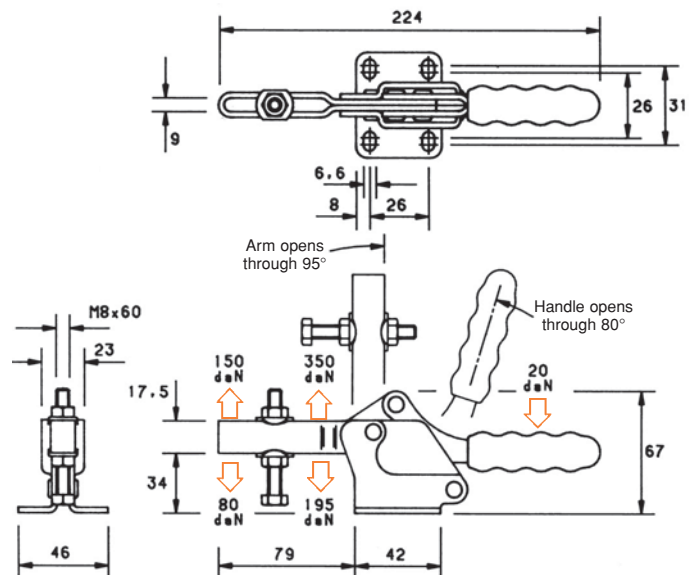
Base:
Flanged.

Nominal Holding Force:
250 daN

Weight:
0.50 Kg

Supplied complete with:
MB0860 Setscrew & nuts.
FW08/15 Flanged washers.

See "Accessories" for other items.



HORIZONTAL CLAMPS

H350 SERIES

MODEL H350/1A



Arm:
2-piece "solid" arm with spindle retainer supplied loose for welding in the desired position.

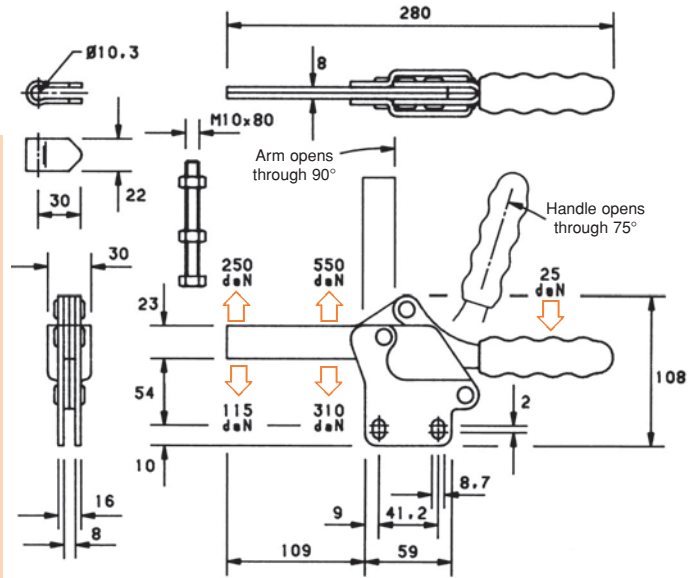
Base:
Straight.

Nominal Holding Force:
350 daN

Weight:
0.90 Kg

Supplied complete with:
MB1080 Setscrew & nuts.
R/10 Spindle retainer.

See "Accessories" for other items.



H350 SERIES

MODEL H350/1B



for "T" Bar Accessory order Model T350



Arm:
The spindle position is adjustable along the arm.

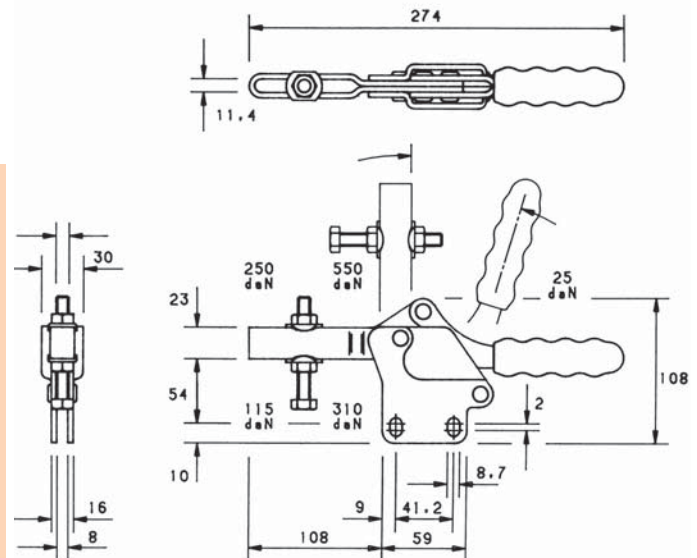
Base:
Straight.

Nominal Holding Force:
350 daN

Weight:
0.90 Kg

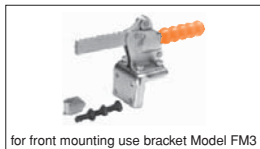
Supplied complete with:
MB1080 Setscrew & nuts.
FW10/20 Flanged washers.

See "Accessories" for other items.



H350 SERIES

MODEL H350/2A



for front mounting use bracket Model FM3



Arm:
2-piece "solid" arm with spindle retainer supplied loose for welding in the desired position.

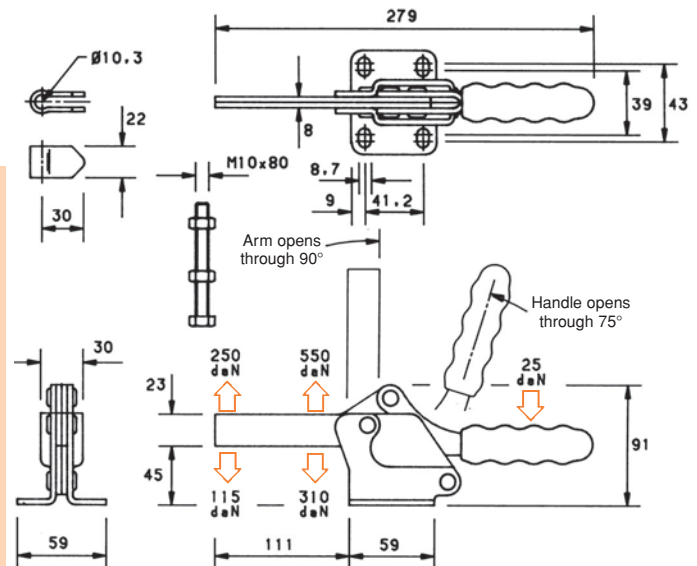
Base:
Flanged.

Nominal Holding Force:
350 daN

Weight:
0.90 Kg

Supplied complete with:
MB1080 Setscrew & nuts.
R/10 Spindle retainer.

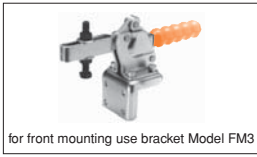
See "Accessories" for other items.



HORIZONTAL CLAMPS

H350 SERIES

MODEL H350/2B



Arm:
The spindle position is adjustable along the arm.

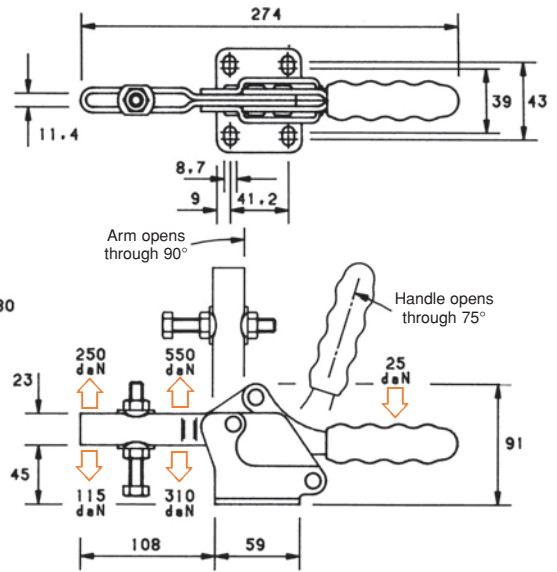
Base:
Flanged.

Nominal Holding Force:
350 daN

Weight:
0.90 Kg

Supplied complete with:
MB1080 Setscrew & nuts.
FW10/20 Flanged washers.

See "Accessories" for other items.



H450 SERIES

MODEL H450/1A



Arm:
Solid with spindle retainer supplied loose for welding in the desired position.

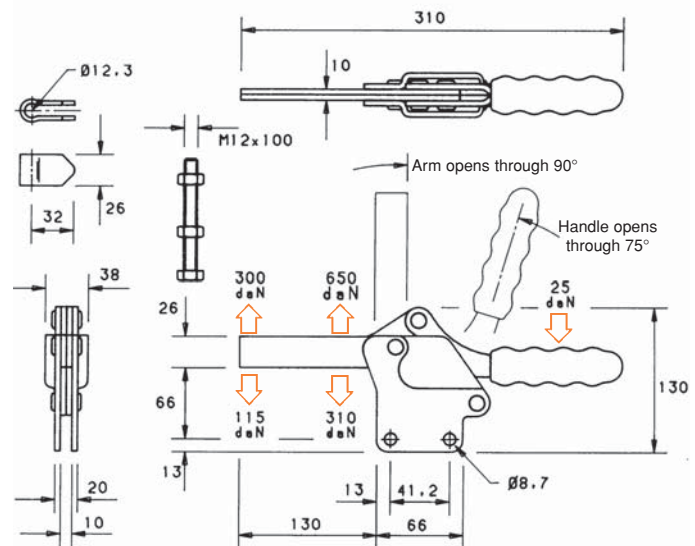
Base:
Straight.

Nominal Holding Force:
450 daN

Weight:
1.60 Kg

Supplied complete with:
MB12100 Setscrew & nuts.
R/12 Spindle retainer.

See "Accessories" for other items.



H450 SERIES

MODEL H450/1B



Arm:
The spindle position is adjustable along the arm.

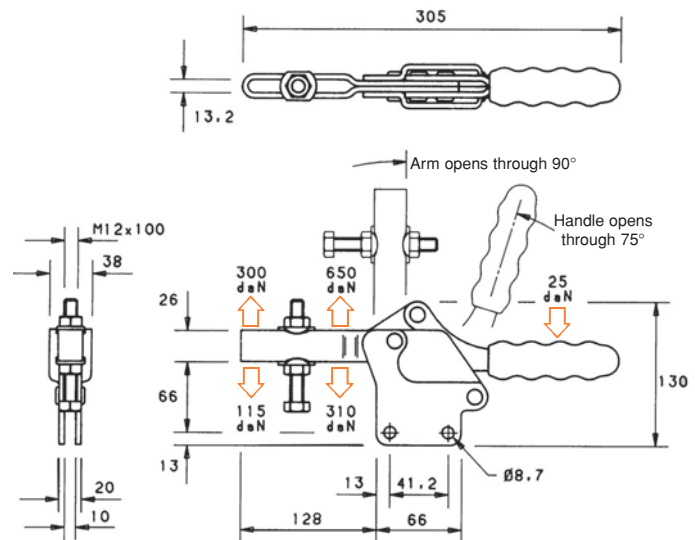
Base:
Straight.

Nominal Holding Force:
450 daN

Weight:
1.60 Kg

Supplied complete with:
MB12100 Setscrew & nuts.
FW12/23 Flanged washers.

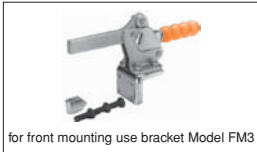
See "Accessories" for other items.



HORIZONTAL CLAMPS

H450 SERIES

MODEL H450/2A



for front mounting use bracket Model FM3



Arm:
Solid with spindle retainer supplied loose for welding in the desired position.

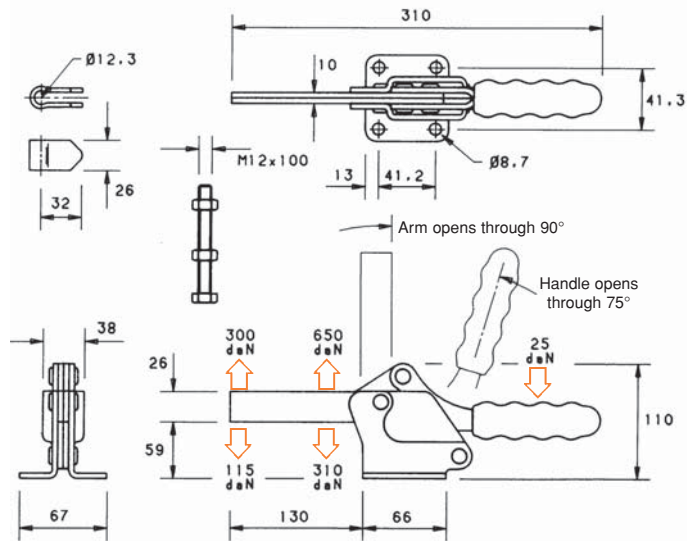
Base:
Flanged.

Nominal Holding Force:
450 daN

Weight:
1.60 Kg

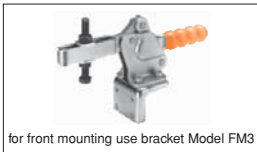
Supplied complete with:
MB12100 Setscrew & nuts.
R/12 Spindle retainer.

See "Accessories" for other items.



H450 SERIES

MODEL H450/2B



for front mounting use bracket Model FM3



Arm:
The spindle position is adjustable along the arm.

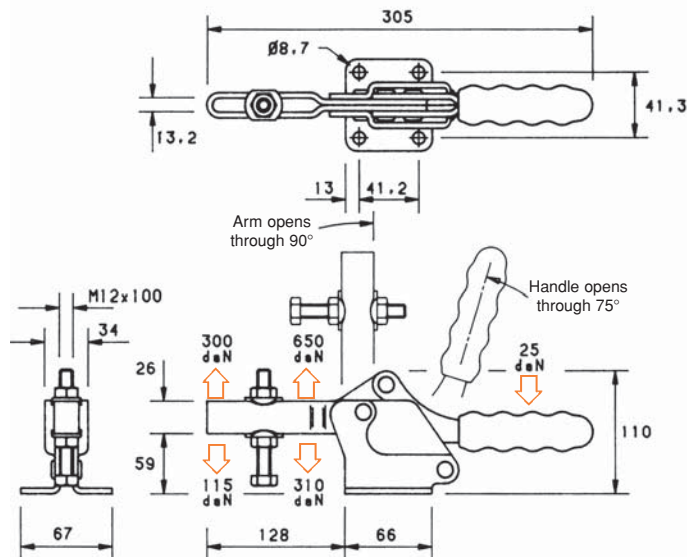
Base:
Flanged.

Nominal Holding Force:
450 daN

Weight:
1.60 Kg

Supplied complete with:
MB12100 Setscrew & nuts.
FW12/23 Flanged washers.

See "Accessories" for other items.



H700 SERIES

MODEL H700



for 'T' Bar Accessory order Model T450



Arm:
The spindle position is adjustable along the arm.

Base:
Flanged.

Nominal Holding Force:
700 daN

Weight:
1.15 Kg

Supplied complete with:
MB12100 Setscrew & nuts.
FW12/23 Flanged washers.

This heavy duty clamp features a cast steel base with central hole for optional "tee" bolt mounting.

See "Accessories" for other items.

