

# WDA Pompen BV

Customer	Date	22-6-2018
Contact	Project	
Phone number	Project no.	
Email		

## ESHE 65-160/11/P46PSNA

101873570

### Operating data

Pumpe type	Single head pump	Fluid	Water, pure
No. of pumps / Reserve	1 / 0	Operating temperature t A	°C 4
Nominal flow	m³/h 0	pH-value at t A	7
Nominal head	m 0	Density at t A	kg/dm³ 1
Static head	m 0	Kin. viscosity at t A	mm²/s 1,569
Inlet pressure	bar 0,098	Vapor pressure at t A	bar 0,0083
Environmental temperature	°C 20	Solids	0
Available system NPSH	m 0	Altitude	m 1000

### Pump data

Make	Lowara	Nominal	m³/h ( )
Speed	1/min 1750	Flow Max-	m³/h 62
Number of stages	1	Min-	m³/h 24
Max. casing pressure	bar	Nominal	m
Max. working pressure	bar ,9	Head at Qmax	m 4,1
Head H(Q=0)	m 8,8	at Qmin	m 8,7
Weight	kg	Shaft power	kW ( )
	Max. mm 150	Max. shaft power	kW 1,1
Impeller R	designed mm 142	Efficiency	%
	Min. mm 125	NPSH 3%	m
Suction nozzle	DN 80 PN 12 EN1092-2 (e-SH)	Discharge nozzle	DN 65 PN 12 EN1092-2 (e-SH)

### Pump Materials

Pump body	Stainless steel / AISI 316L
impeller	Stainless steel / ASTM CF8M (AISI 316 cast)
Seal casing	Stainless steel / AISI 316L
Wear ring	Stainless steel / AISI 316L
Counterwear ring	Stainless steel / AISI 316L
Shaft extension	Stainless steel / AISI 316
Rigid shaft coupling	Stainless steel / AISI 316
Impeller locknut and washer	Stainless steel / AISI 316
Tab	Stainless steel / AISI 316L

### Shaft Seal

Single seal	e-SH - uniten	Roten
Rotating Assembly		V-Ceramic
Fixed Assembly		B-Resin impregnated carbon
Elastomers		V-FKM (FPM)
Springs		G-AISI 316
Other Components		G-AISI 316

### Motor data

Manufacturer	Lowara	Electric voltage	220 V
Specific design	IE3 Three phase surface motor		
Type	PLM490.../311 E3	Electric current	4,76 A
Rated power	1,1 kW	Degree of protection	IP 55
Speed	1740 1/min	Insulation class	B
Frame size	90	Weight	0 kg
Shaft diameter	0 mm	Colour	RAL 5010

### Coupling

Manufacturer	
Series	
Type	
Frame size	
Spacer length	
Weight	
Coupling protection	

### Base plate

Description
Weight

### Remarks:

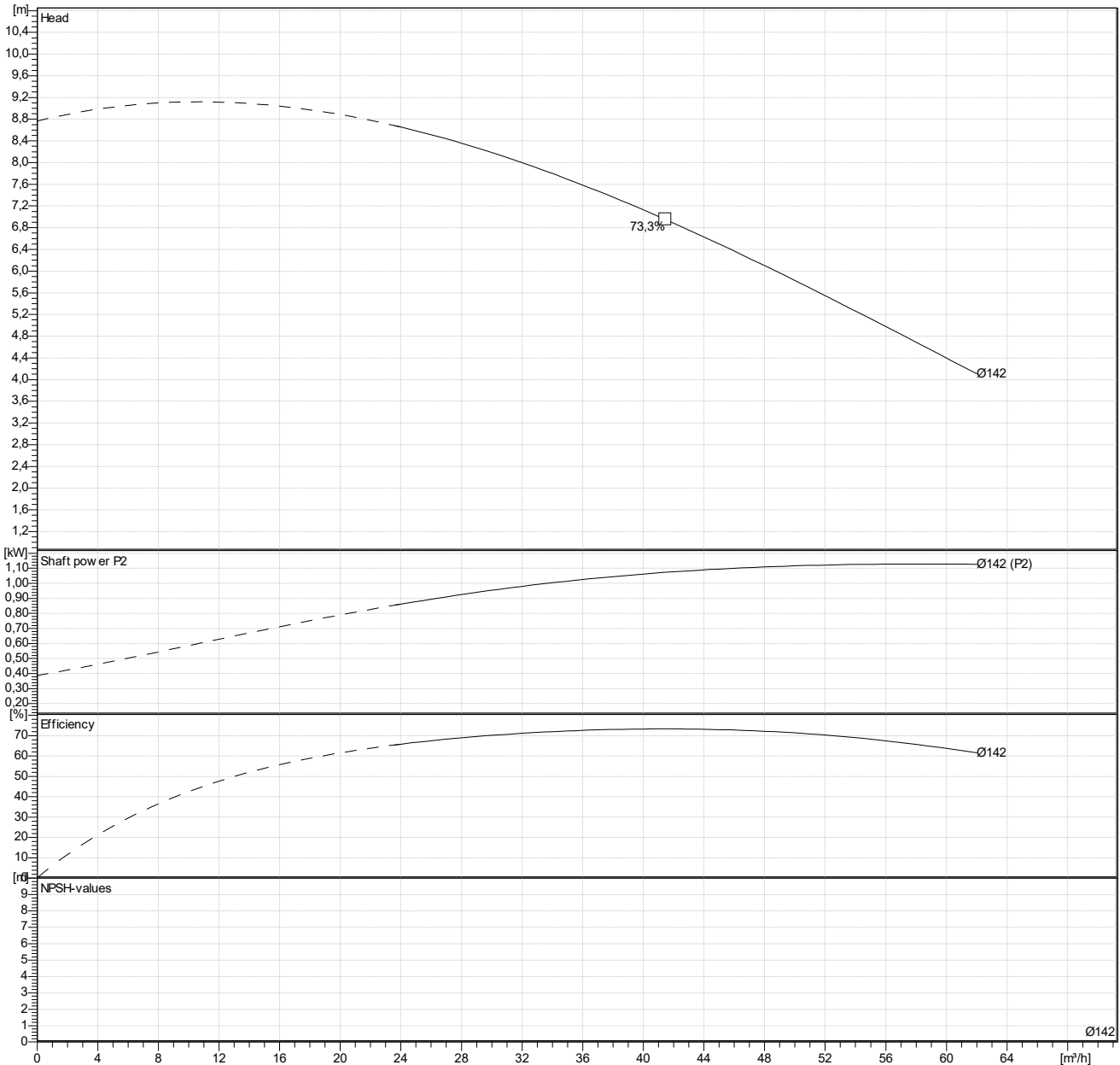
Customer	Date	22-6-2018
Contact	Project	
Phone number	Project no.	
Email		

**ESHE 65-160/11/P46PSNA**  
101873570

**Hydraulic data**

Operating Data Specification	Hydraulic data (duty point)	Impeller design
Flow 0 m³/h	Flow	Impeller R 142 mm
Head 0 m	Head	Frequency 60 Hz
Static head 0 m		Speed 1750 1/min

Power data referred to:  
**Water, pure [100%] ; 4°C; 1kg/dm³; 1,57mm²/s**  
 Performance according to ISO 9906 - Annex A



# WDA Pompen BV

Customer	Date	22-6-2018
Contact	Project	
Phone number	Project no.	
Email		

## ESHE 65-160/11/P46PSNA 101873570

### Dimensions mm / m³

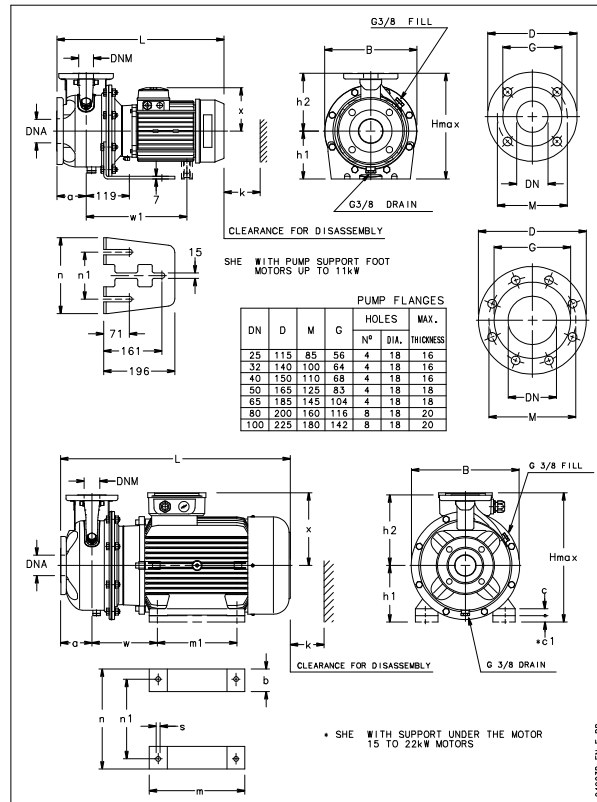
a	100		
B	310		
DNA	80		
DNM	65		
h1	160		
h2	200		
Hmax	360		
k	130		
L	498		
n	245		
n1	130		
x	134		
		Total weight	45 kg

### Connections mm

Suction nozzle	Discharge nozzle
DN 80	DN 65
PN 12	PN 12
EN1092-2 (e-SH)	EN1092-2 (e-SH)

D	200	D	185
Dia. Holes	18	Dia. Holes	18
DN	80	DN	65
G	114	G	104
M	160	M	145
Max thickness	20	Max thickness	18
N° Holes	8	N° Holes	4

### Drawing



040350-EN-E\_2D