



**JOKWANG I.L.I CO.,LTD.**

**D R A W I N G  
F O R  
Q U O T A T I O N**

**PRESSURE SAFETY & RELIEF VALVE SPECIFICATIONS**

Doc.No. : 160708-017

PROJECT NAME:

PROJECT NO. :  
(HULL NO)

CLIENT :

SITE :

Head Office & Plant

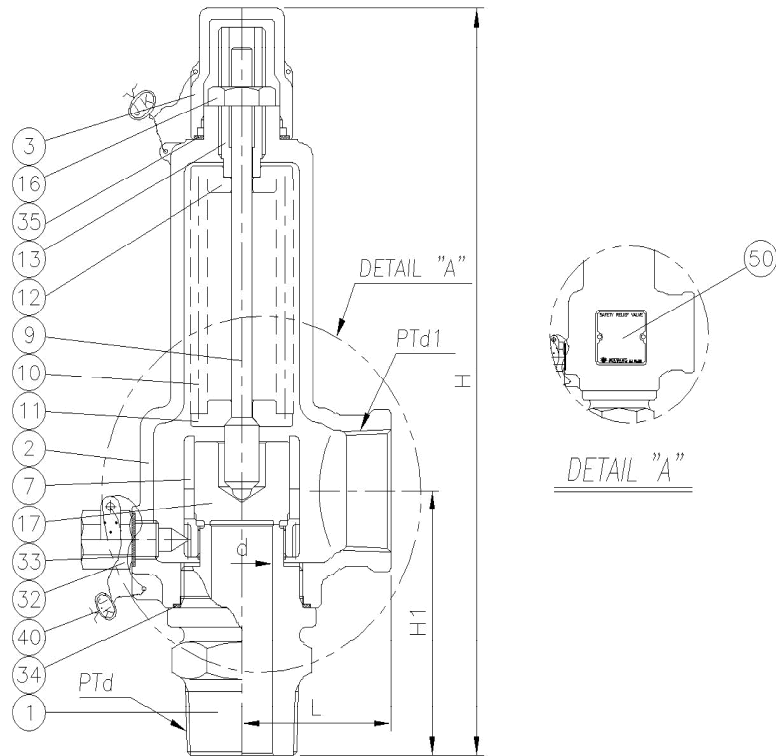
#37, Sanmakgongdanbuk 10-gil, Yangsan-si, Gyeongsangnam-do, Korea

Tel : (055) 360 - 0200 Fax : (055) 360 - 0260

<http://www.jokwang.co.kr>


| 0    | 2016. 07. 08. | Quotation   | S.W JUNG | J.B.SO | S.C.KIM |        |      |
|------|---------------|-------------|----------|--------|---------|--------|------|
| REV. | DATE          | DESCRIPTION | PREP'D   | CHK'D  | APP'D   | APP'D  | DATE |
|      |               |             |          |        |         | CLIENT |      |

TAG NO.



| NO | PART NAME        | MATERIAL             | QTY | REMARK |
|----|------------------|----------------------|-----|--------|
| 50 | NAME PLATE       | A240 304             | 1   |        |
| 40 | SEAL             | Pb                   | 2   |        |
| 35 | CAP GASKET       | PTFE                 | 1   |        |
| 34 | BODY GASKET      | PTFE                 | 1   |        |
| 33 | SET SCREW GASKET | PTFE                 | 1   |        |
| 32 | SET SCREW        | A276 304             | 1   |        |
| 17 | DISC             | A 276 304(STELLITED) | 1   |        |
| 16 | LOCK NUT         | C 3604               | 1   |        |
| 13 | ADJUST SCREW     | C 3604               | 1   |        |
| 12 | SPR SEAT(UPP.)   | A105                 | 1   |        |
| 11 | SPR SEAT(LOW.)   | A105                 | 1   |        |
| 10 | SPRING           | SWOSC                | 1   |        |
| 9  | STEM             | A276 304             | 1   |        |
| 7  | ADJ RING         | SCS 13               | 1   |        |
| 3  | CAP              | C3771                | 1   |        |
| 2  | BONNET           | CAC 406              | 1   |        |
| 1  | BODY             | SCS 13(STELLITED)    | 1   |        |

|   |                   |                |                |                |
|---|-------------------|----------------|----------------|----------------|
| DWG NO.   | JKS-SLQ024781 -10 | Designed       | Checked        | Approved       |
| MODEL   | JSV-HT41          | <i>J.Y.LIM</i> | <i>Y.S.KIM</i> | <i>J.K.KIM</i> |
| DATE  | 2016-07-08        | J.Y.LIM        | Y.S.KIM        | J.K.KIM        |
| <b>FULL BORE TYPE SAFETY RELIEF VALVE</b>   |                   |                |                | REV            |
|  <b>JOKWANG I.L.I CO.,LTD.</b> |                   |                |                | 0              |

**DIMENSION** **UNIT : mm**

| SIZE   | d  | L  | H1 | H   | PTd | PTd1 | Wt(kg) |
|--------|----|----|----|-----|-----|------|--------|
| 25x25A | 19 | 44 | 70 | 198 | 1"  | 1"   | 1.9    |