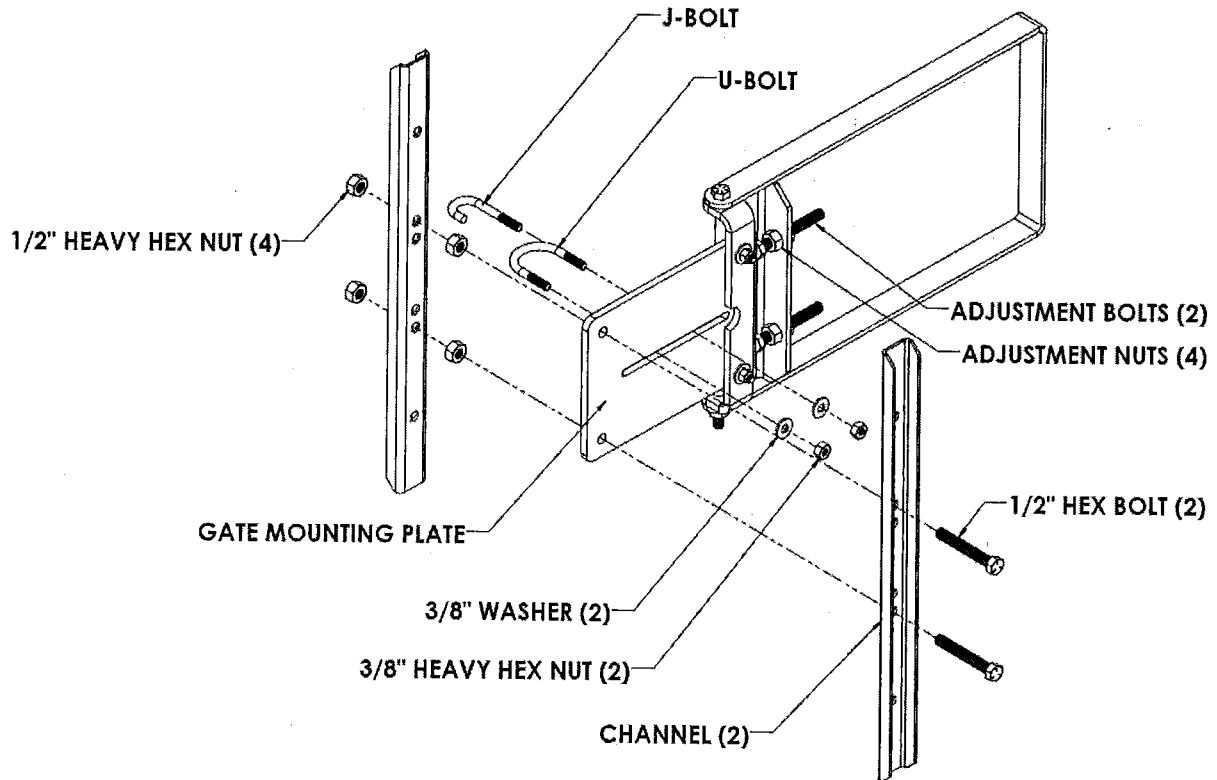


The Fabenco A-Series self-closing gate can be installed in standard or 90 degree positions on all types of handrails – angle, flat bar, and pipe. Adjustment bolts provide a positive stop without hand rail contact.

Suggested Tools for Installation: Adjustable Wrench and Socket Set with 7/8" and 11/16" Sockets.



USE U-BOLT FOR INSTALLATION ON PIPE AND J-BOLT FOR INSTALLATION ON ANGLE IRON

Step 1:

Insert the U-bolt (or J-bolt) through the slot on the gate mounting plate assembly. Fasten to the rail using the 3/8" washers and nuts. Tighten to 20 ft./lbs. of torque.

Step 2:

Insert the 1/2" bolts through the desired level holes on one channel then through the gate mounting plate assembly. Insert two 1/2" nuts onto the bolts and tighten to 30 ft./lbs. of torque.

Step 3:

Take the gate assembly and place on one side of the rail. Place the second channel on the other side of the rail and insert the remaining two nuts onto the 1/2" bolts and tighten to 30 ft./lbs. of torque.

90° Mounting:

Step 1:

Position the gate to approximately 90 degrees from standard position after initial installation. Re-position the adjustment bolts until the gate rests at a 90-degree angle.

Step 2:

Tighten the adjustment nuts until all nuts are snug on the angle bracket of the gate assembly.

ANNUAL INSPECTION PROCEDURE

- Verify that all fasteners are tightened.
- Replace any missing fasteners.
- Inspect product for any damage. Replace if damage is found.