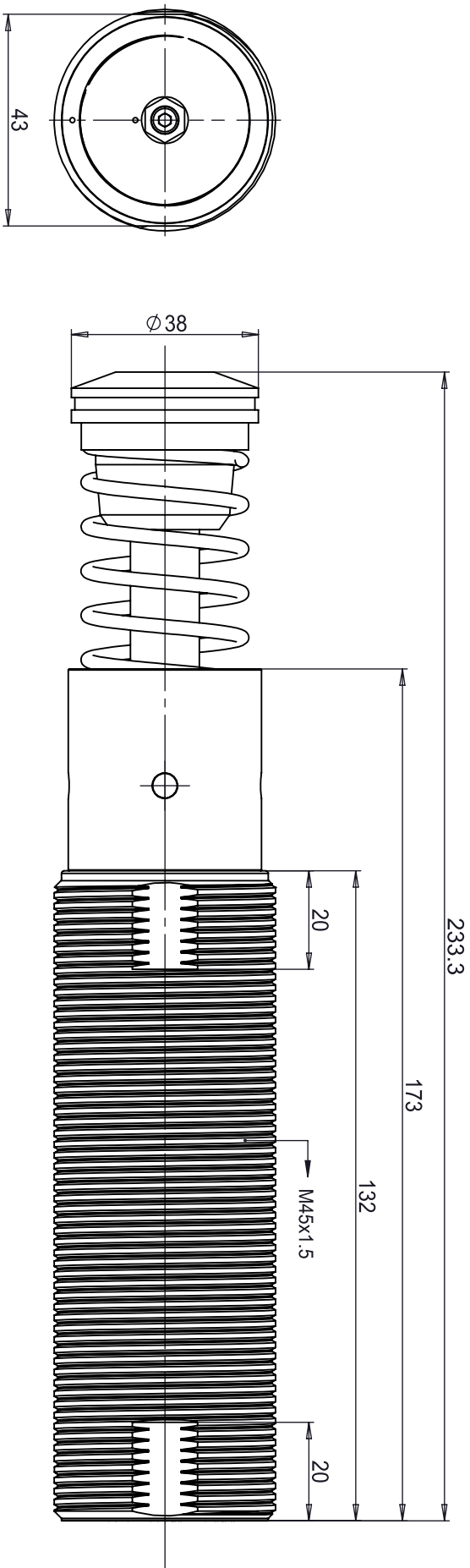


ITEM NO.	PART NAME	I/T	MATERIAL	MATERIAL SIZE REF. DWG	QTY	REMARK
-	-	-	-	-	-	-



Model	Stroke	Max. Energy/Cycle	Max. Energy/Hour	Weight	Temperature
KSE45-50	50 mm	1350Nm	255000Nm	1.6Kg	-10~80°C

REV./No.	DATE	REVISION	DRWN BY	CHKD BY	APPD BY	±0.1, ±0.5°	20.04.30
EDC Wuxi BDC Damping Technology Co., Ltd <small>INDUSTRIE-STÖßDÄMPFER</small> <small>www.bdtcc.com</small>		Lara Sam <small>DESIGNED</small> by <small>CHECKED</small> by <small>APPROVED</small> by		APPAR KSE45-50 Shock Absorber		UNIT	SCALE
Industrieste-Stoßdämpfer Tolerance Unless Otherwise Specified		www.bdtcc.com		TITLE		mm	N/S
DRAWN by DESIGNED by CHECKED by APPROVED by		REF. TO DWG		DRAWING NO		1/d Angle Protection	1/1
DATE		REVISION		APPR		REF. TO DWG	Page Rev.
DATE		REVISION		APPR		REF. TO DWG	1/1 R00