

SPECIFICATIONS:

STEPS PER REVOLUTION: 200	ROTOR INERTIA: 460 G-CM ² (2.51 OZ-IN ²) NOM
STEP ANGLE: 1.8°	DETENT TORQUE: 714 G-CM (9.91 OZ-IN) MIN
STEP TO STEP ACCURACY: ±5 % [1], [2]	INSULATION CLASS: B
POSITIONAL ACCURACY: ±5 % [1], [3]	BEARINGS: ABEC 3, DOUBLE SHIELDED
HYSTERESIS: - %	WEIGHT: 1.0 KG (2.2 LB)
SHAFT RUNOUT: 0.03 T.I.R.	TEMP. RISE: 80 °C MAX. [8]
RADIAL PLAY: 0.02 MAX W/A .5KG RADIAL LOAD	OPERATING TEMP. RANGE: -20 TO +50 °C
END PLAY: 0.08 MAX W/A .5KG AXIAL LOAD	STORAGE TEMP. RANGE: -30 TO +70 °C
	RELATIVE HUMIDITY RANGE: 15 TO 85 %

HT23-601

REVISIONS

ECO NO.	REV	DESCRIPTION	DATE	APPROVED
5978	A	INITIAL RELEASE	8/11/09	J KORDIK
5980	B	REVISED HOLE DIMENSION	8/18/09	J KORDIK
5976	C	REVISED HOLE SIZE	8/27/09	J KORDIK

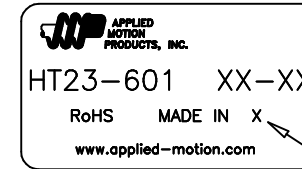
[7]

SPECIFICATION CONNECTION	NUMBER OF PHASE	RESISTANCE PER PHASE OHM ±10%	INDUCTANCE PER PHASE mH ±20%	RATED CURRENT Amp	RATED VOLTAGE V	HOLDING TORQUE Nm Min
BI-POLAR SERIES	2	2.0	6.8	2.12	4.2	1.90
BI-POLAR PARALLEL	2	0.5	1.7	4.24	2.1	1.90
UNI-POLAR	4	1.0	1.7	3.00	3.0	1.35

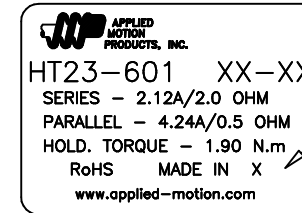
[1]

NOTES, UNLESS OTHERWISE SPECIFIED:

- [1] MEASUREMENTS MADE AT RATED CURRENT IN EACH PHASE.
- [2] BETWEEN ANY TWO ADJACENT STEP POSITIONS.
- [3] MAXIMUM ERROR IN 360°.
- 4. HIPOT 500 VAC, 60 Hz FOR ONE MINUTE.
- 5. LEADS: 8, 22AWG, 7 STRAND MIN., UL AND CSA APPROVED, UL 1430 OR UL 3265.
- 6. INSULATION RESISTANCE: 100 MEGOHMS MIN AT 500 VDC.
- [7] AS MEASURED USING AN A.C. INDUCTANCE BRIDGE, AT 1KHz.
- [8] AS MEASURED BY THE CHANGE IN RESISTANCE METHOD, WITH RATED VOLTAGE APPLIED TO 2 PHASES; WITH MOTOR AT REST.
- [9] SHAFT OPTION: IF DOUBLE SHAFT REQUIRED ADD "D" TO END OF PART NUMBER. DOUBLE SHAFT REQUIRES ADDED HOLES FOR ENCODER OPTIONS.
- 10. THIS MOTOR TO BE MANUFACTURED IN COMPLIANCE WITH EU DIRECTIVE "ROHS 2002/95/EC".
- [11] MOTOR LABEL TO INCLUDE "ROHS" COMPLIANT, 'MADE IN (COUNTRY OF ORIGIN)' AND DATE CODE.

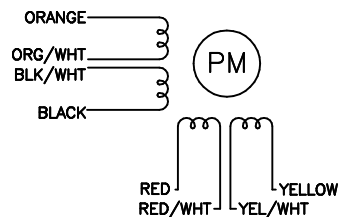


LABEL DETAIL
BOTH OPTIONS ACCEPTABLE



[11]

WIRING DIAGRAM



DRIVE SEQUENCE MODEL
BI-POLAR FULL STEP

STEP	ORANGE & BLK/WHT	BLACK & ORG/WHT	RED & YEL/WHT	YELLOW & RED/WHT
1	+	-	+	-
2	-	+	+	-
3	-	+	-	+
4	+	-	-	+

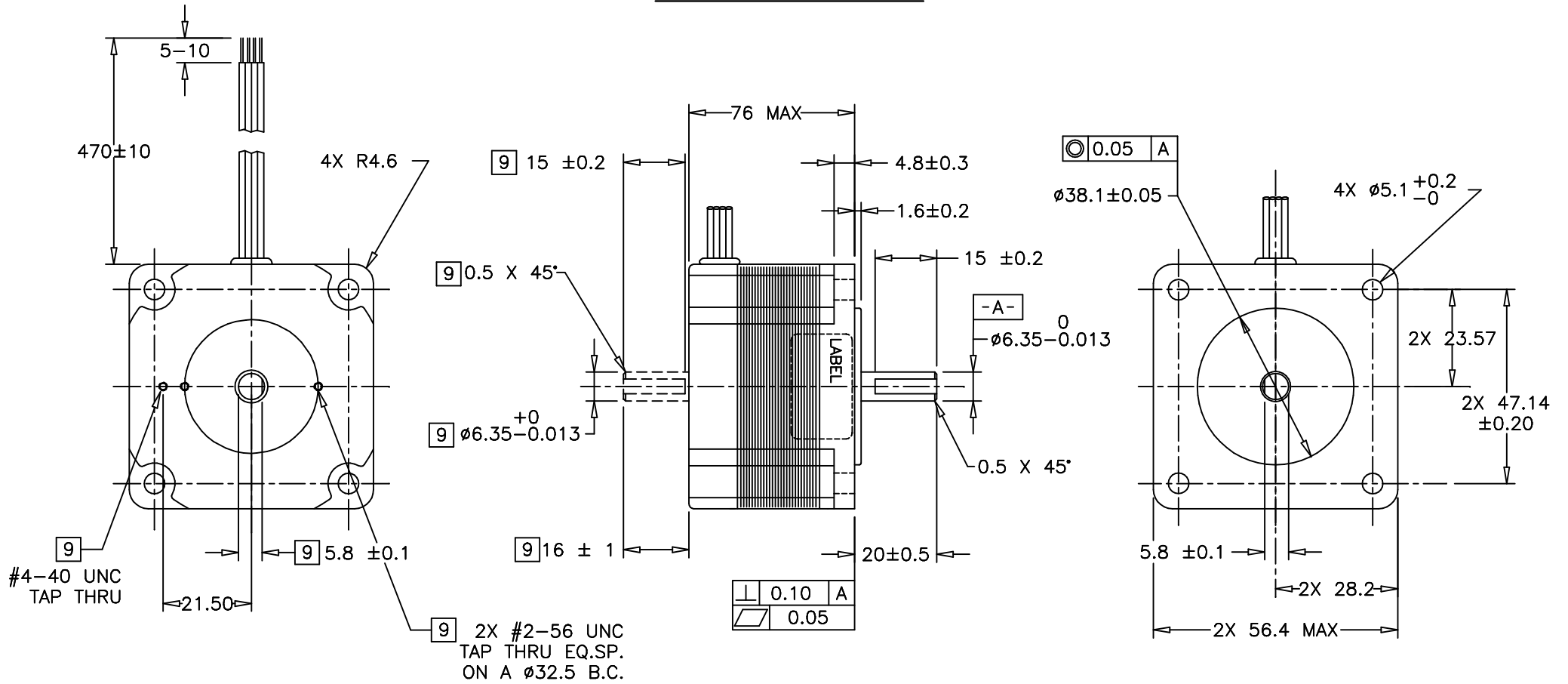
CW ↓

↑ CCW

CW(CLOCKWISE) AND CCW(COUNTER-CLOCKWISE) ROTATION WHEN SEEN FROM THE FLANGE SIDE OF THE MOTOR

CONTRACT NO. -					
APPROVALS	DATE	STEP MOTOR OUTLINE			
DRAWN <i>R.JONEZ</i>	8/11/09				
CHECKED					
APPROVED					
APPROVED		B	COMPUTER DATA BASE DRAWING	DWG NO. HT23-601	REV C
SCALE: NONE		SHEET 1 OF 2			

MOTOR DRAWING



TOLERANCES		THIRD ANGLE PROJECTION		APPLIED MOTION PRODUCTS, INC.	
DECIMALS: MM (INCH)				STEP MOTOR OUTLINE	
X.XXX = ± (.005)	X.XX = ±0.13 (.010)				
ANGLES:		APPROVALS		DATE	
MACH. = ±.5°		DRAWN <i>R. JONEZ</i>		8/11/09	
CHAM. = ±5°		CHECKED			
COMPUTER DATA BASE DRAWING		APPROVED		B DWG NO. HT23-601 REV C	
				SCALE: NONE	
				SHEET 2 OF 2	