

Deluge Valve

FIG. 9266

Specifications

- Installed both vertically and horizontal orientation.
 - For use in dry pipe (automatic sprinkler) fire protection systems.
 - Use for electrical signal trigger system and pipeline connection diagram system, manual-reset.
 - High-pressure, high-flow deluge systems.
 - Excellent flow characteristics.
 - Superior design featuring exceptionally low pressure losses at high flow rates.
 - Automatic or local manual emergency actuation.
 - Hazardous-flammable and explosion classified area fire suppression.
 - Low to negligible lifelong maintenance costs to no wetted metallic and mechanical moving parts design.
 - Onshore & Offshore, Naval, Industrial, Commercial & Residential fire suppression.
 - Multiple end type: Groove by Groove, Flange by Flange, Flange by Groove.
 - Flanged connections are drilled per EN1092 -PN10/16 or ANSI B16.1 Class 125.
 - Grooved connections are cut in accordance with standard groove specifications for steel pipe.
- UL 260 listed.
 - GOST certificated.

Working Pressure and Temperature

- 20 to 300 psi @ 0°C to 87°C.

Corrosion Protection

- Fusion bonded coating interior and exterior meet or exceed all applicable of AWWA C550 standard.

Options

- Multiple end type : Groove by Groove, Flange by Flange, Flange by Groove.

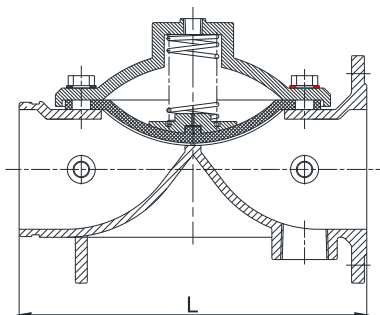
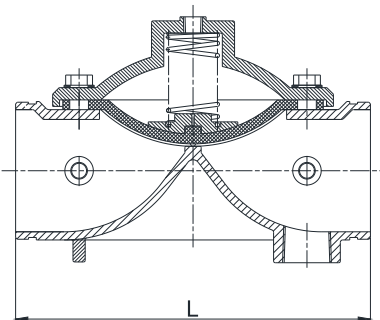
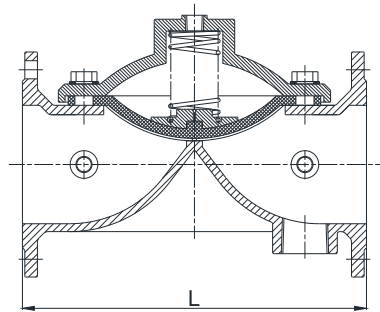
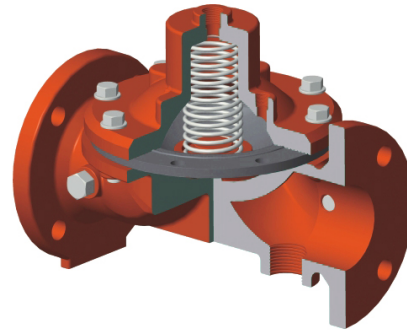
Material Specification

| Part | Material | ASTM Specification |
|------------------------|---------------------------|---------------------|
| Body | Ductile Iron | A536 Grade 65-45-12 |
| Cover | Ductile Iron | A536 Grade 65-45-12 |
| Diaphragm | Rubber | D2000 NBR |
| Bonnet Bolts and Nuts | Carbon Steel, Zinc plated | A307 Grade B |
| Spring | Stainless Steel | A276 Grade 302 |
| Drip Valve | Brass | B16 C36000 |
| Water Relay | Brass | B16 C36000 |
| 1/2" Ball Valves | Brass | B16 C36000 |
| 1/2" Check Valves | Brass | B16 C36000 |
| 1/2" Strainer | Brass | B16 C36000 |
| Drain Valve | Brass | B16 C36000 |
| Manual emergency valve | Brass | B16 C36000 |
| Nipple | Malleable Iron | A47 Grade 22010 |
| Pipe | Stainless Steel | A276 Grade 304 |
| Solenoid Valve | Assembly | |
| Pressure Gauge | Assembly | |

Notes

• Designs, materials and specifications shown are subject to change without notice due to the continuous development of our products.

Schematic



Main Dimensions (mm/inch)

| Size | 2 | 2.5 | 3 | 4 | 5 |
|------|-----------|-----------|-----------|-----------|-----------|
| L | 233(9) | 290(11.5) | 310(12.2) | 356(14) | 370(14.5) |
| Size | 6 | 8 | 10 | 12 | |
| L | 436(17.2) | 530(20.8) | 636(25) | 835(32.8) | |