

**PART NUMBERING MATERIAL CODING**

THIS DRAWING IS SUBJECT TO 'COPYRIGHT' IF CANNOT BE COPIED OR REPRODUCED WITHOUT THE WRITTEN AUTHORITY OF THE COMPANY

CONFIDENTIAL

IF IN DOUBT 'ASK'

REMOVE ALL SHARP EDGES AND BURRS  ARE OUR PURCHASE ORDER No

DIMENSIONS SHOWN ARE METRIC  IMP

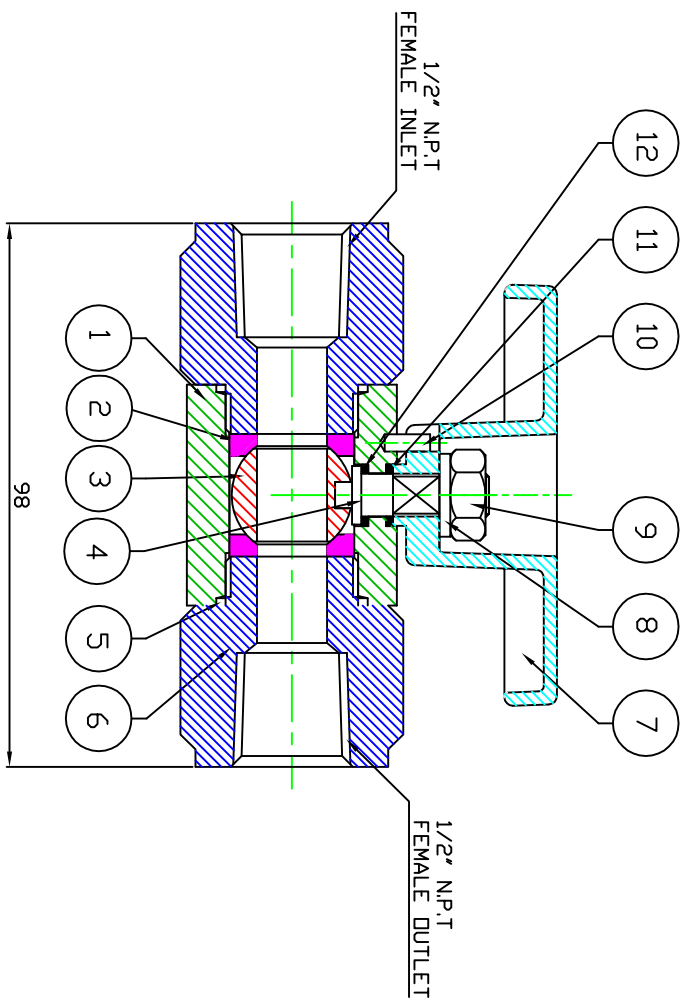
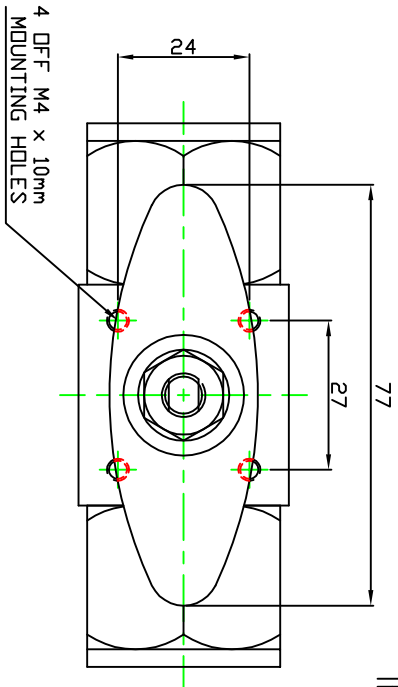
PART NUMBER	MATERIAL SPECIFICATION	ITEM No
BS970 GRADE		
220M07 cs/ft.		
BS2874 GRADE		
CZ121-BRASS		
BS970 GRADE		
316 S 11		
BS970 GRADE		
416 S 21.		
MONEL 400.		
INCOLOY 825.		
BS2874 GRADE		
CA104 AL-BNZ.		
HASTALLOY		
CUPRO-NICKEL		

**REVISIONS**

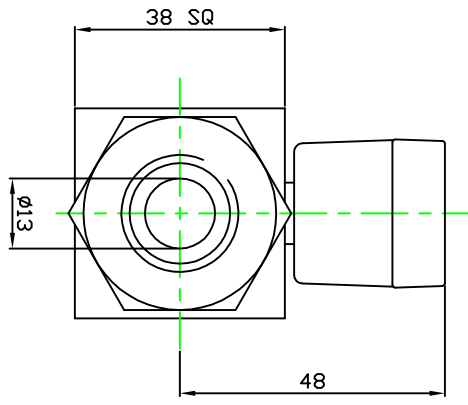
REV No	DATE	DETAILS OF CHANGE	INTL RISED
1	02/08/04	ISSUED	I.D.

PRESSURE RATINGS ARE COLD WORKING, NON-SHOCK AND SUBJECT TO TEMPERATURE LIMITATIONS, UNLESS OTHERWISE STATED. PLEASE SEE SPECIFIC PRODUCT DATA.

DIMENSIONS AND DESIGNS ARE SUBJECT TO CHANGE WITHOUT PRIOR NOTICE.



ITEM	DESCRIPTION	QTY	MATERIAL
1	VALVE BODY	1	CZ121-BRASS
2	VALVE SEAT	2	P.T.F.E.
3	BALL	1	CZ121-BRASS
4	STEM	1	CZ121-BRASS
5	END CONNECTOR SEAL	2	P.T.F.E.
6	END CONNECTOR	2	CZ121-BRASS
7	T/ HANDLE	1	MAZAK
8	WASHER	1	A2 ST/ST
9	STEM NUT	1	A2 ST/ST
10	STOP PIN	1	316 ST/ST
11	TOP STEM SEAL	1	R.T.F.E.
12	BOTTOM STEM SEAL	1	R.T.F.E.



CERTIFICATION REQUIRED  
BS EN 10204:(LATEST REVISION)  
ORIGINAL MILL CERTIFICATE  
N.A.C.E. MR. 01.75(LATEST REVISION)  
ADDITIONAL:--

**Alco Valves**  
Industrial Valve Manufacturers

Mission Works, Birdroyd Lane, Brighouse,  
West Yorkshire, HD6 1LQ - UK  
Tel: 01484 710511 FAX: 01484 713009 Int'l: ++44 1484 710511  
Website: www.alco-valves.com e-mail: uk@alco-valves.com

TITLE	1/2" NPT FEMALE x FEMALE 'SB' SERIES BALL VALVE IN CZ121-BRASS. 13mm BORE. WITH T/ BAR HANDLE. 1,000psi.	SCALE	N.T.S.
DRAWING NUMBER	FSB4NB-M	DATE	02/08/04
DRAWN	C.L.	CHECKED	
REVISION No	1		

C.I.N.05673811