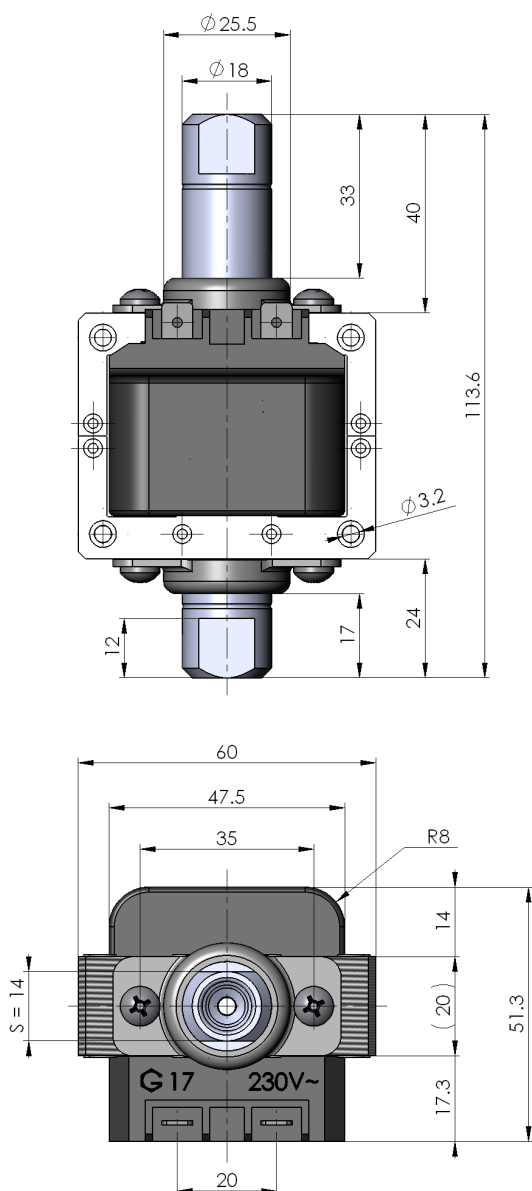
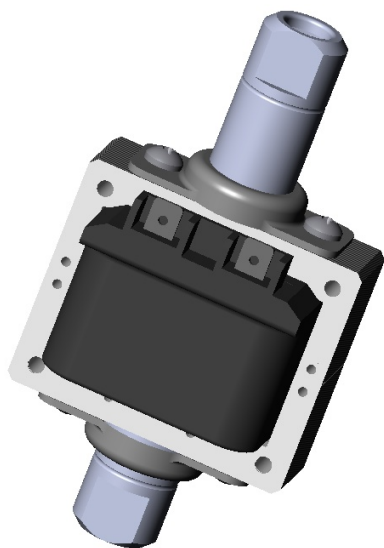


Electromagnetic pump

ETG 150

Technical data



Application fields :

- Household equipment
- Laboratory devices
- Cleaning equipment
- Printing systems
- Lubrication

The pump ETG 150 opens the door to very specific applications as fuel cells, fuel burner of the new generation, water or additives injections in motors.

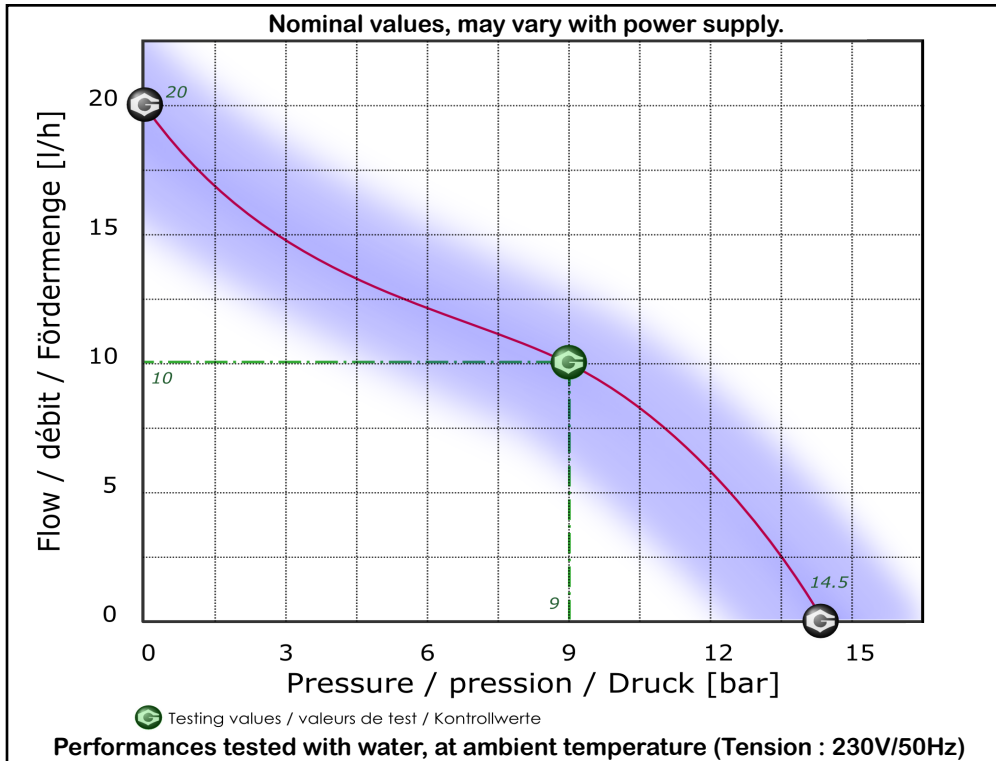
Should you need more pressure, you can connect two pumps in serie and the pressure is doubled !

Nominal rated data :

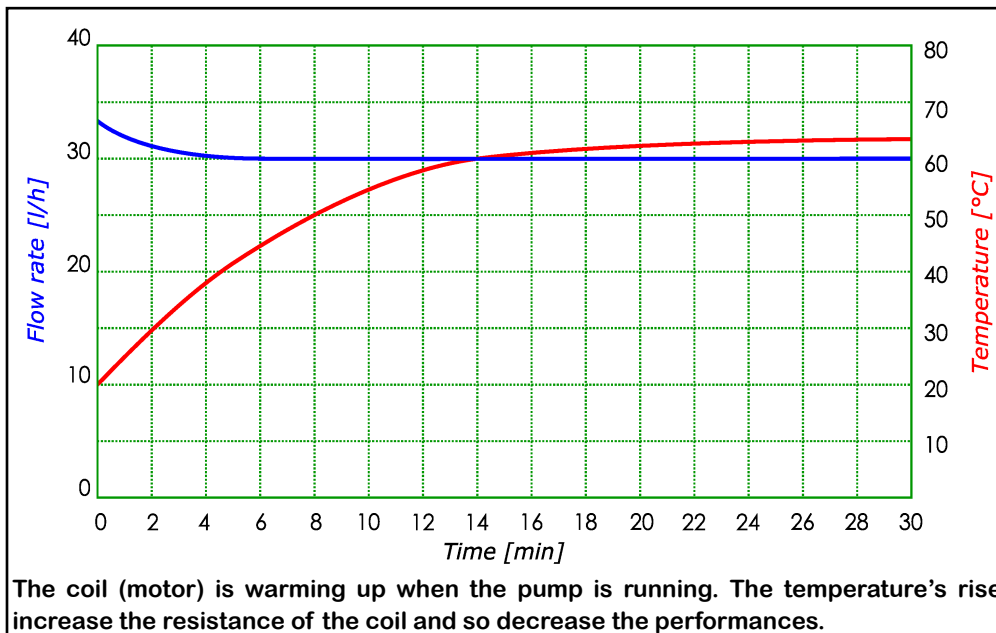
Maximum pressure	: 14.5 [bar]
Maximum flow rate	: 20 [l/h]
Maximum suction height	: 1 [m]
Viscosity range	: 1...600 [mm ² /s]
Filter	: Mesh 100
Tension	: 230 [V]~ (110 [V], 24 [V], 12 [V])
Frequency	: 50 [Hz], (60 [Hz])
Electrical connection	: 2 x 6.3 [mm] x 0.8 [mm]
Power	: 45 [W]
Weight	: ~560 [g]
Temperature	: 1 [°C]...50 [°C]
Insulation	: Class F-100% ED / 20 [°C] (Class H on request) Class I (class II on request)
Noise level (1m)	: Open flow = ~63 [dB(A)], Max. pressure = ~49 [dB(A)]
Approvals	: EC conform to EN60335-1 (ED.4), CB cert. Nr. CH-4364, (UL on request)
EMC	: Conform to 2004/108/EC
RoHS	: Conform to 2002/95/EC



Performances :



Heating & flow :



Additional information :

Materials in contact with the liquid :

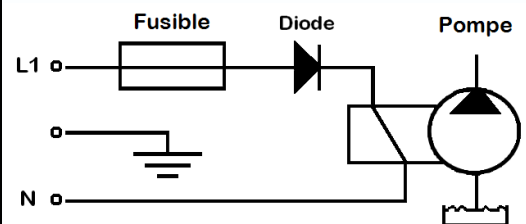
Connectors : 1.4305
 Piston : 1.4057 + Cr
 Springs : 1.4401
 Valves tips : NBR
 O-ring : NBR

Large choice of materials & options



Electric wiring diagram :

Fuse and diode are necessary



Note :

Please, refer to instruction manual for more installation details. For more information, visit our website

www.gotecpumps.com