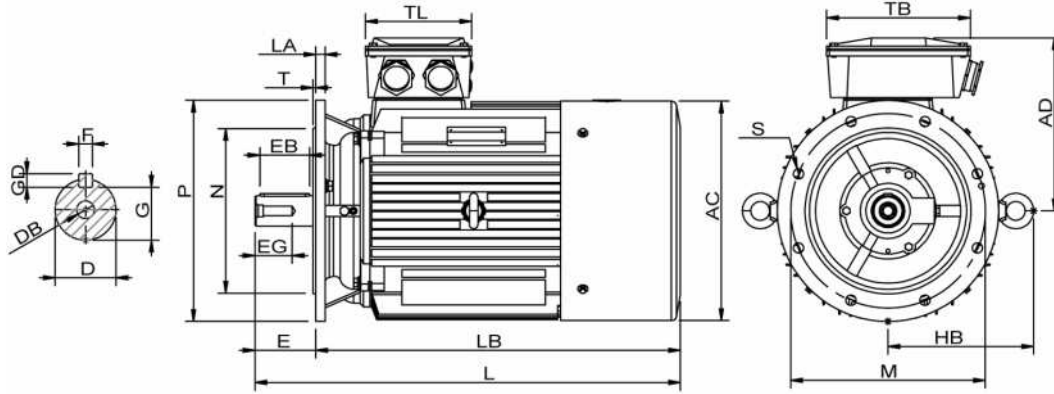


Data Sheet

Itemnumber....: 3222501209



AC = 499	DB = M20	EG = 56	GD = 11	L = 1013	M = 500	S = 8-Ø18.5	TL = 230
AD = 390	E = 140	F = 18	H = 250	LA = 22	N = 450	T = 5	
D = 60	EB = 110	G = 53	HB = 361	LB = 873	P = 550	TB = 305	

Version Type.....: HMC2 250M1-2 Design.....: Induction motor Standard series.....: IEC 60034 Phase / Voltage range.....: 3~ / Low Electrical design Efficiency.....: IE2 Pole.....: 2 Power at 50 Hz (kW).....: 75,0 Hz.....: 60 (60 Hz output) Voltage.....: 440VD 60 Hz Winding voltage.....: 400VD/690VY 50 Hz Power output (kW).....: 87,5 Duty.....: S1 Insulation class.....: F Temperature rise.....: B	Mechanical design Frame size.....: 250M1 Mounting.....: B5 Rain cap.....: No Protection class.....: IP55 Cooling method.....: IC411/TEFC External grounding.....: Yes Drain hole.....: Yes Frame material.....: Cast Iron Material approval.....: None Shaft.....: IEC Standard Key.....: Closed key Balancing.....: Half key balancing Vibration class.....: Grade-A Weight (kg).....: 433 Environment condition Ambient temp. min. (°C)..: -20 Ambient temp. max. (°C)..: 45 Altitude (mtr up to).....: 1000	Bearing DE Bearing.....: 6314/C3 NDE Bearing.....: 6314/C3 Fixed bearing.....: DE Terminal box Tbox position.....: Top Cable entry direction.....: Right (from DE) Cable entry Main.....: 2 x M63x1,5 Ø37-44mm metal Accessory.....: 2 x M20x1,5 Metal blindcaps Connection type.....: Delta (D) Terminal board thread.....: 6-M10 Test values Rotor inertia (kgm²).....: 0,50 No load current (A).....: 38,0 Winding resist. (ohm).....: 0,044 Starting time (sec.).....: 0,29
---	--	--

Motor protection
 Thermal protection main....: PTC 3x 155 dgr
 Thermal protection second..: None
 Space heater.....: 1x 230V
 Temperature detector.....: No
 SPM.....: No
 IR wire.....: No
 Tropical insulation.....: Yes

Explosion protection
 According to.....: None

General
 Direction of rotation.....: CW
 Painting.....: RAL 9005 Gloss 10
 Nameplate.....: Multivoltage + VFD
 Special packing.....: No
 Special requirements.....: No

Rated power (kW)	75,0	73,0	90,0	87,5
Frequency (Hz)	50	50	60	60
Voltage (V)	400 690	380 660	480 830	440
Connection	D Y	D Y	D Y	D
Full load current (A)	128 74,5	132 76,5	128 74,5	134
Speed (rpm)	2970	2970	3560	3560
Power factor cos(phi)	0,91	0,91	0,91	0,92
Efficiency, 100/75/50 (%)	93,6/93,0/91,5	93,6/93,0/91,5	93,6/93,0/91,5	93,1/92,5/90,9
Ist/In	6,9	6	6,9	6,3
Full load torque (Nm)	240	234	240	234
Tst/Tn	2,3	2,1	2,3	2
Tmax /Tn	3,3	3,1	3,3	2,8
Duty	S1	S1	S1	S1
Ambient temp. (°C)	40	45	40	45