

External braking choppers TRANSOMIK

Equipment code	Electrical data	Order no.
TRANSOMIK 11BC1-14	11 kW, AC...460V, DC670/770V	8593.321/14
TRANSOMIK 22BC2-14	22 kW, AC...460V, DC670/770V	8592.322/14
TRANSOMIK 40BC2-14	40 kW, AC...460V, DC670/770V	8592.324/14
TRANSOMIK 90BC2-14	90 kW, AC...460V, DC670/770V	8592.329/14

Refer to Product Manual TTBC for external mounted braking resistors

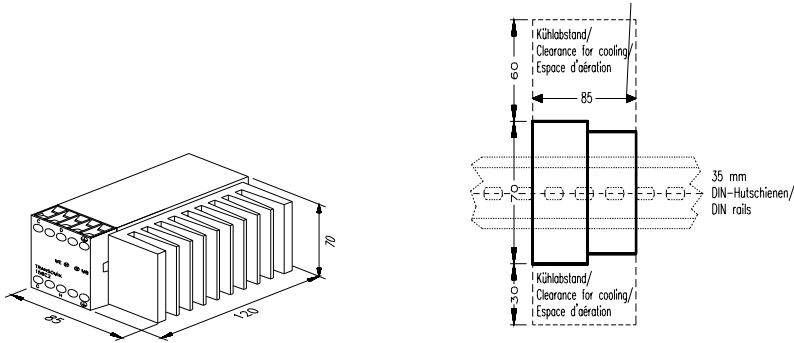
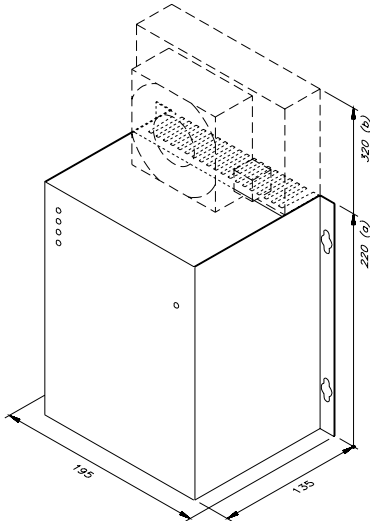


Fig. 10.4a: Outline drawing and mounting - TRANSOMIK 11BC1-14

tb-12a



tb-12b

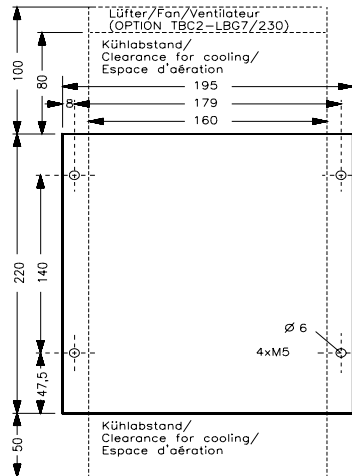


Fig. 10.4b: Outline drawing and mounting - TRANSOMIK 22...90BC2-14