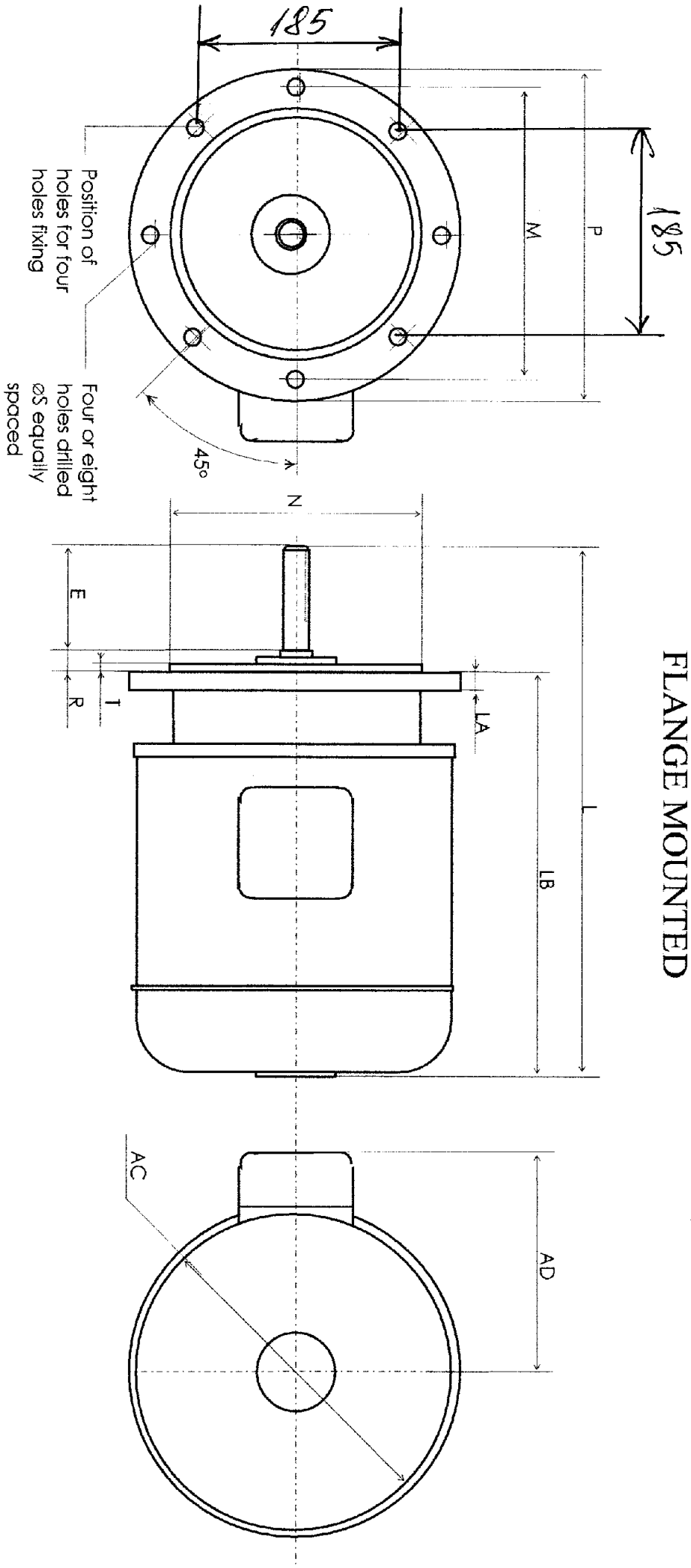


MOTOR DATA LIST

1.	Manufacturer's name, type an service duty	NIDEC HOISTING MOTOR
2.	Voltage	440
3.	Frequency	60
4.	kW	5
5.	H.P.	6.8
6.	Amperage	10.3
7.	Phases	Three
8.	Rating	CONT
9.	Frame size	
10.	Serial Number	7Z06701 - T
11.	Foot or Flange Mounted	Flange
12.	Vertical or Horizontal Mounted	Horizontal
13.	Connection	Star
14.	Revolutions per minute	875
15.	Insulation Class	B
16.	Terminal box position as viewed from Drive End	
17.	Enclosure Type	IP44
18.	Weight, kg	
19.	Grease Nipple for Bearings, position, type	N/A
20.	Cable Inlet to Terminal Box position	
21.	Electrical protection (thermistors)	N/A
22.	Anticondensation Heater	N/A

MOTOR DETAILS FLANGE MOUNTED



E	L	M	N	P	R	S	T	AC	AD	LA	LB
								240	240	13	330