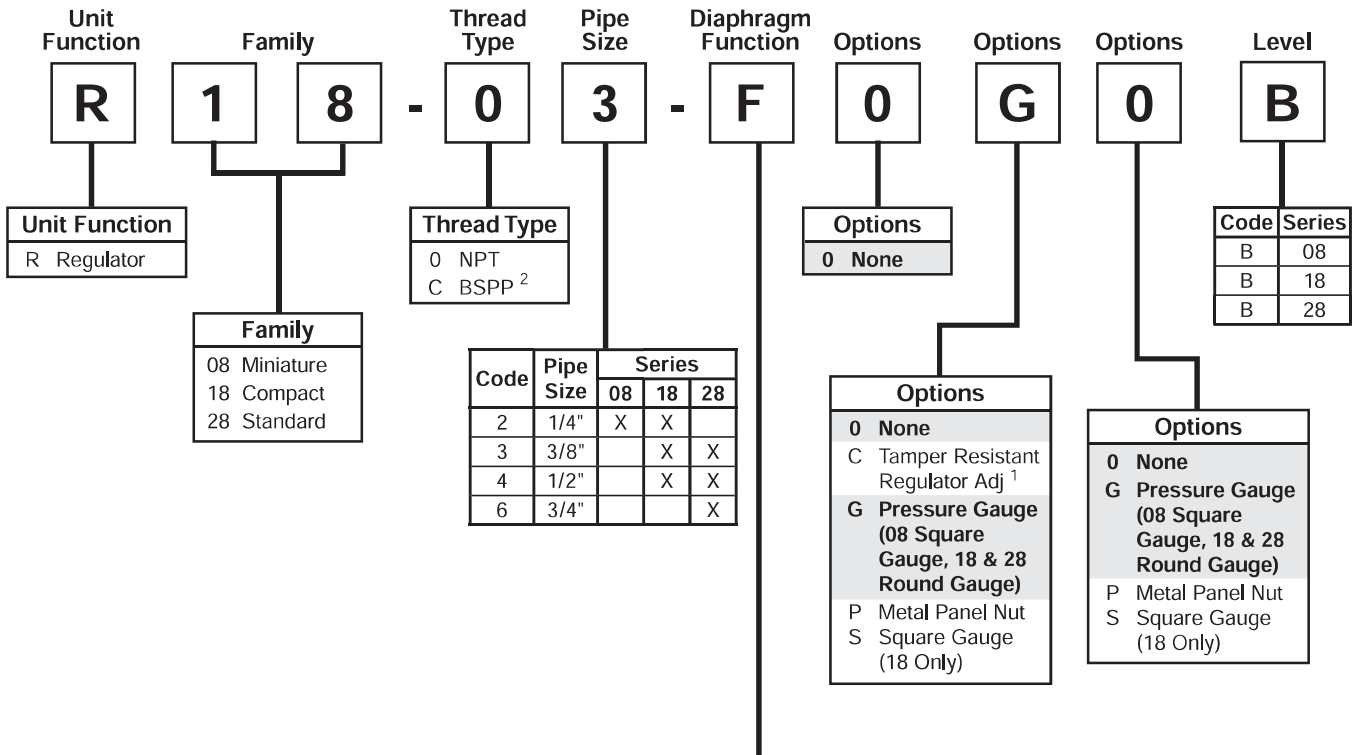


Regulator Numbering System

 = "Most Popular"



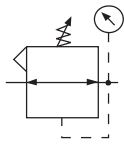
Diaphragm Function	Fluorocarbon	Spring Range			
		0 to 30 PSIG (0 to 2 bar)	0 to 60 PSIG (0 to 4 bar)	0 to 125 PSIG (0 to 8 bar)	0 to 250 PSIG ³ (0 to 17 bar)
Relieving	No	C	D	F	G
	Yes	J	K	L	M
Non-relieving	No	P	W	R	S
	Yes	V	X	Y	Z

¹ Tamper kit not installed. Kit is shipped loose in carton, for 08, 18 & 28 NPT units.
² ISO, R228 (G Series).
³ R08 series operating range 0 to 232 PSIG (1 to 16 bar).

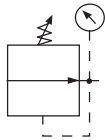
NOTE: When selecting from the options columns, please enter letters in alphabetical order for positions 7, 8, and 9. For example:

R 1 8 - 0 3 - F 0 G 0 B

Regulator R08



Relieving



Non-Relieving



Specifications

Flow Capacity*	1/4	68 SCFM (32 dm ³ /s, ANR)
Adjusting Range Pressure		0 to 30 PSIG (0 to 2 bar)
		0 to 60 PSIG (0 to 4 bar)
		0 to 125 PSIG (0 to 8 bar)
		0 to 232 PSIG (0 to 16 bar)
Gauge Port (2 ea.)**	NPT / BSPP-G	1/8
Maximum Supply Pressure		300 PSIG (20.7 bar)
Operating Temperature†		-4° to 150°F (-20° to 65.5°C)
Port Size	NPT / BSPP-G	1/4
Weight		0.37 lb. (0.17 kg)

* Inlet pressure 145 psig (10 bar). Secondary pressure 91.3 psig (6.3 bar) and 14.5 psig (1 bar) pressure drop.

** Non-gauge option only.

† Units with square gauges: 5°F to 150°F (-15°C to 65.5°C)

Features

- Balanced Valve Design
- 2 Gauge Ports
- Serviceability and Ease of Maintenance
- Unique Flush-mounted Pressure Gauge
- Light Weight
- Modern Design and Appearance

Materials of Construction

Adjustment Knob	Acetal
Body	Aluminum
Body Cap	ABS
Bonnet	PBT
Diaphragm Assembly	Brass / Nitrile
Panel Nut	Acetal
Seals	Nitrile
Springs	Steel
Valve Assembly	Brass / Nitrile

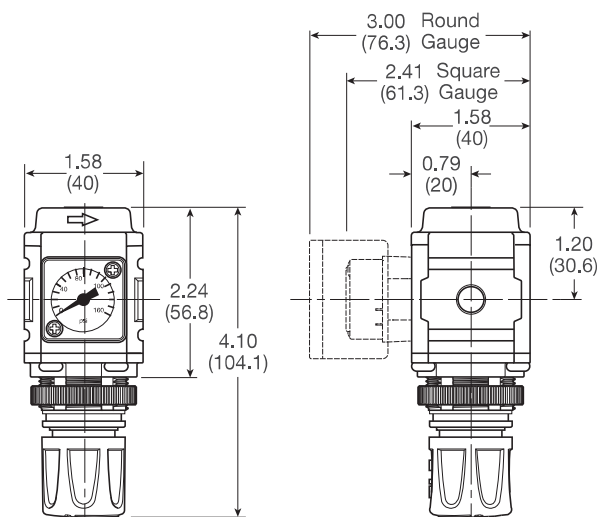
WARNING

**Product rupture can cause serious injury.
Do not connect regulator to bottled gas.
Do not exceed maximum primary pressure rating.**

CAUTION:

REGULATOR PRESSURE ADJUSTMENT – The working range of knob adjustment is designed to permit outlet pressures within their full range. Pressure adjustment beyond this range is also possible because the knob is not a limiting device. This is a common characteristic of most industrial regulators, and limiting devices may be obtained **only** by special design.

For best performance, regulated pressure should always be set by increasing the pressure up to the desired setting.



Inches (mm)

NOTE: 1.20 in. (30mm) hole required for panel nut mounting.

= "Most Popular"

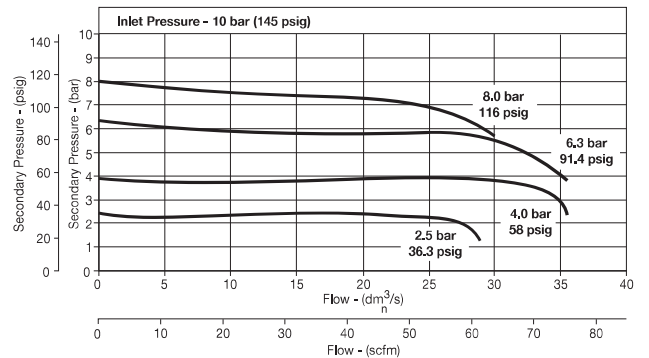
Replacement Kits

- Diaphragm Assembly –
 - Non-relieving GRP-96-726B
 - Relieving GRP-96-725B
- Spring, Regulating –
 - 0 to 125 PSIG (0 to 8.6 bar) GRP-96-717B

Accessories

- Adjusting Knob RRP-16-005-000
- Panel Mount Nut –
 - Aluminum RPA-96-733
 - Plastic RPA-96-734
- Pressure Gauge –
 - Flush Mounted –
 - 0 to 150 PSIG K4511SCR160
 - 0 to 60 PSIG K4511SCR060
 - 0 to 4 bar K4511SCR04B
 - 0 to 11 bar K4511SCR11B
 - Square with adapter kit
 - 0-4 bar P6G-PR10040
 - 0-11 bar P6G-PR10110
 - 0-60 PSIG P6G-PR90060
 - 0-160 PSIG P6G-PR90160
 - 0 to 60 PSIG (0 to 4.1 bar),
 - 1-1/2" Dial Face, 1/8 NPT, CBM K4515N18060
 - 0 to 160 PSIG (0 to 11.0 bar),
 - 1-1/2" Dial Face, 1/8 NPT, CBM K4515N18160
- Tamper Resistant Kit RPA-96-735
- Tamperproof Lock and Cover Kit
(lock not included) RPA-96-736
- Wall Mounting Bracket –
 - C-Type GPA-97-010
 - L-Type GRP-96-739
 - T-Type GPA-96-737

R08 1/4" Regulator



Ordering Information

Model Type	Port Size	With Gauge 0 to 125 PSIG (0 to 8.6 bar)	With Gauge 0 to 30 PSIG (0 to 2.1 bar)	With Gauge 0 to 60 PSIG (0 to 4.1 bar)	Without Gauge 0 to 125 PSIG (0 to 8.6 bar)
Relieving	1/4	R08-02-F0G0B	R08-02-C0G0B	R08-02-D0G0B	R08-02-F000B

Options - To order an option supplied with the unit model, add the appropriate coded suffix letter in the designated position of the model number.