

ENERGIZER CR2450

Lithium Coin

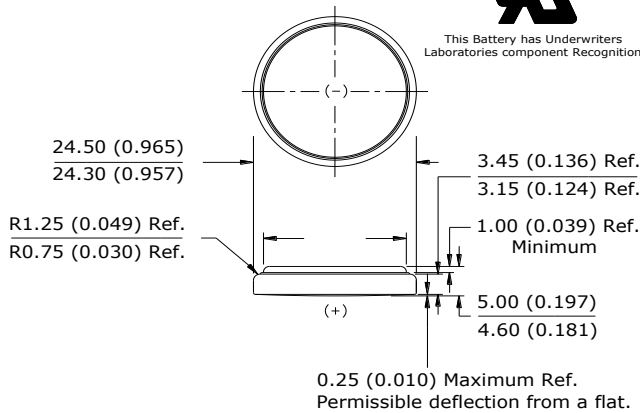


Industry Standard Dimensions

mm (inches)



This Battery has Underwriters Laboratories component Recognition



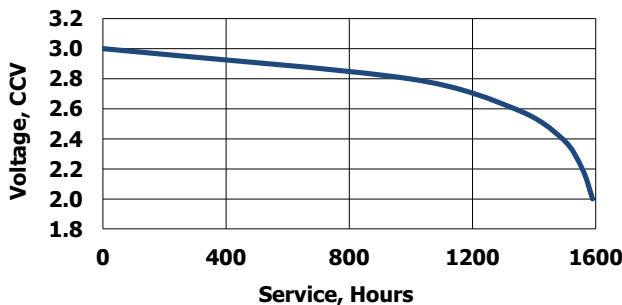
Simulated Application test

Typical Performance at 21°C (70°F)

Schedule:	Typical Drains: at 2.9V (mA)	Load (ohms)	Cutoff 2.0V (hours)
Continuous	0.39	7,500	1,590

Typical Discharge Characteristics

Load: 7.5K ohms - Continuous
Typical Drain @ 2.9V: 0.39 mA

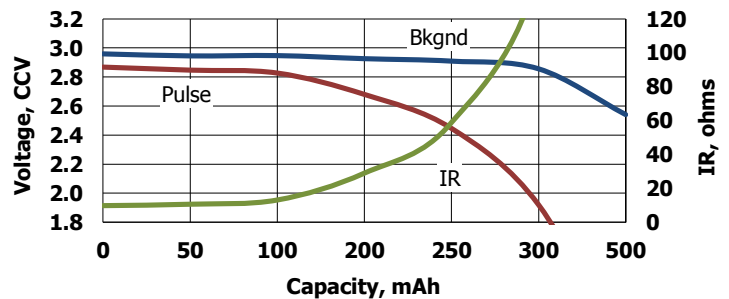


Internal Resistance Characteristics

Pulse Test at 21°C (70°F)

Bkgnd Drain: Continuous
7.5K ohms
0.39 mA @2.9V

Pulse Drain: 2 seconds X 12 times/day
300 ohms
9.0 mA @2.7V



Pack Quantity : 2
Manufacturers Part Number : 638179



Safety:

(1) KEEP OUT OF REACH OF CHILDREN. Swallowing may lead to serious injury or death in as little as 2 hours due to chemical burns and potential perforation of the esophagus. **Immediately see doctor; have doctor phone (202) 625-3333.**

(2) Battery compartment design. To prevent children from removing batteries, battery compartments should be designed with one of the following methods: a) a tool such as screwdriver or coin is required to open battery compartment or b) the battery compartment door/cover requires the application of a minimum of two independent and simultaneous movements of the securing mechanism to open by hand. Screws should remain captive with the battery door or cover.