

# VARIABLE THROTTLE VALVE (HF)



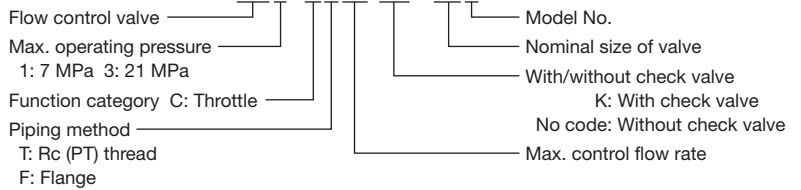
This valve controls flow by changing the cross-sectional area through which fluid flows. If the pressure difference between the IN and OUT ports varies, the flow that passes through the throttle varies.

The valve is appropriate in applications where the pressure difference between the IN and OUT ports is small and slight variations in flow are permissible.

● When the valve is provided with a check valve, the check valve cracking pressure is 0.04 MPa.

## Description of the model designation

### HF3-CT20 (K)-02B

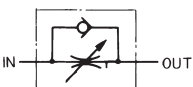


## Without check valve Variable throttle valve



Nominal Size	Rated flow rate (L/min)	Model		
		Thread-connection type		Flange-connection type
02	20	HF3-CT20-02B	—	—
03	30	HF3-CT30-03B	HF1-CT30-03	—
04	50	—	—	HF3-CF50-04A
06	75	—	HF1-CT75-06	HF3-CF75-06A
Max. operating pressure (MPa)		21	7	21

## With check valve Variable throttle valve with check valve



Nominal size	Rated flow rate (L/min)	Model			Free flow (L/min)
		Thread-connection type		Flange-connection type	
02	20	HF3-CT20K-02B	—	—	20
03	30	HF3-CT30K-03B	HF1-CT30K-03	—	30
04	50	—	—	HF3-CF50K-04A	50
06	75	—	HF1-CT75K-06	HF3-CF75K-06A	75
Max. operating pressure (MPa)		21	7	21	

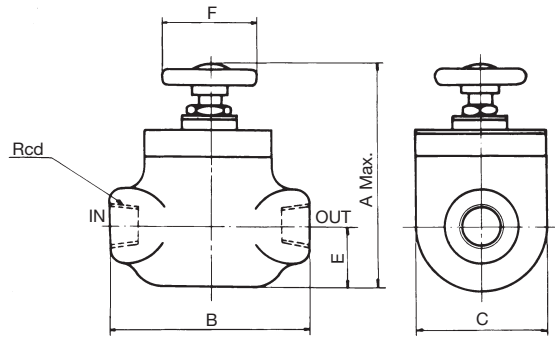
## Outside dimensions

**HF3-CT\*\* (K)-\*\***

Nominal size	A	B	C	D	E	F	G	H	J	K	L	Mass (kg)
02	46	62	28.5	25	10	83	25	10.5	¼	34.6	30	0.5
03	57	78	35.5	32	10	95	32	13	⅜	41.6	36	0.9

■ Outside dimensions

HF1-CT\*\*(K)-\*\*

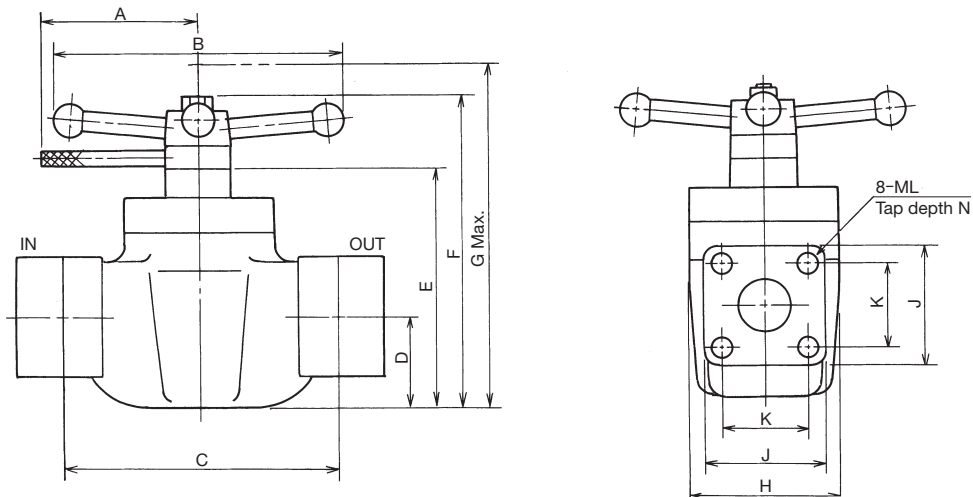


■ Dimension table

Unit: mm

Model	A	B	C	E	F	d	Mass (kg)
HF1-CT30(K)-03	110.5	83	58	29	55	$\frac{3}{8}$	1.2
HF1-CT75(K)-06	140.5	114	71	37	55	$\frac{3}{4}$	2.5

HF3-CF\*\*(K)-\*\*



■ Dimension table

Unit: mm

Model	A	B	C	D	E	F	G	H	J	K	L	N	Used flange	Mass (kg)
HF3-CF50(K)-04A	70	135	140	46	111	145	167	76	58	36	10	17	JIS B 2291 SSA-15	5.5
HF3-CF75(K)-06A	70	135	140	46	111	145	167	76	58	40	10	17	JIS B 2291 SSA-20	5.5