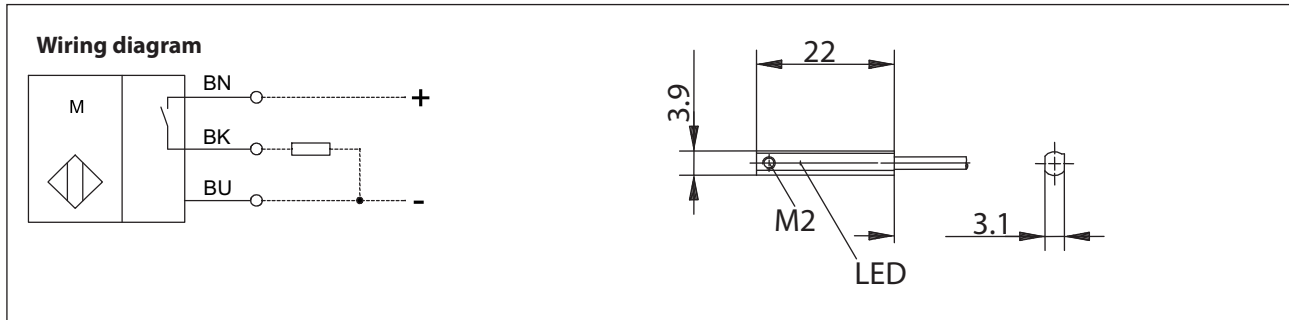


## Electronic Magnetic Sensors Series E22

Description **MEK-E22PS/H03-KL2**

Article number **6372281171**



### Identifying characteristics in accordance with EN 60947-5-2

Electrical data	
Magnetic sensitivity	3 mT (south switching)
Switching element function	DC, N.O., open collector
Repeat accuracy	R ≤ 0,1 mT (constant $U_B$ and ambient air temperature)
Differential travel (hysteresis)	H 0,8 mT
Operational voltage range	$U_B$ 8 – 30 V DC
Rated insulation voltage	$U_i$ 75 V DC
Voltage drop	$U_d$ < 2,5 V @ 150 mA
Utilization category	DC-12
Rated operational current	$I_e$ ≤ 150 mA
Leakage current	< 100 $\mu$ A
No-load supply current	$I_o$ < 5 mA (not actuated)
Switching element	Hall
Short-circuit protection	yes
Mounting	from side or top into a C-Groove
False polarity protection	yes

Electromagnetic compatibility (EMC)	
Electromagnetic field test	IEC 61000-4-3
Electrostatic discharge test	IEC 61000-4-2
Electrical fast transient immunity test (Burst)	IEC 61000-4-4
Conducted disturbances, induced by high frequency electromagnetic fields	IEC 61000-4-6
Radiated disturbance field strength	EN 55011

<b>Mechanical data</b>	
Enclosure	PA12, topaz
Ambient air temperature	-20 °C ... +80 °C (cable fixed mounted)
Type of protection	IP 67 acc. to EN 60529
Function indication	LED yellow, output indication / output activated
Termination type	Cable 3 x 0,05 mm <sup>2</sup> x 2 m ± 5 %, PUR - Outer jacket, black
Attachment	1 x setscrew M2 x 3, DIN913, 1 x allen wrench

<b>EU Conformity</b>	
	acc. to directive 2014/30/EU