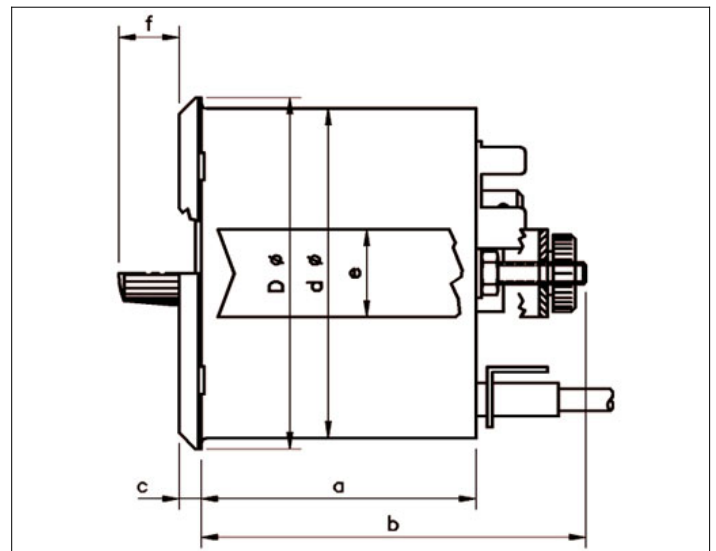


THERMOSTATS

Telethermostat for Front Panel Mounting with U-Clamp

item number: Without bimetal compensation
 Description: 04.12



DESCRIPTION

**Without bimetal compensation
 accuracy ± 2 %**

- 3060.1 KB/K case: ABS, black
- 3060.1 KB/M case: steel sheet
 corrosion protected
- window: plexiglass or glass
- front ring: chromed
- circuit type: snap-action microswitch,
 1 single pole

- change-over
- max. load: 5 Amps 250 VAC
 (non inductive)
- electrical connection: AMP plug, 6.3 mm
- setpoint: setting frontside by knob
- options:
- customized dial / coloured scale
- front ring black or INOX
- plug protection by backwards cap, ABS black
- various possibilities for setpoint setting

TABLE



Type	a	b	c	d	e	f	D
3060.1 KB/K(D)	50	70	2(4)	60	16	13	63
3060.1 KB/M	50	70	4	60	16	13	63