



[www.tohnichi.com](http://www.tohnichi.com)

[Home](#) / [Products](#) / [Torque Tester/Checker](#) / [Torque Wrench Checker](#) / [LC3-G](#)

# Torque Tester/Checker

## LC3-G Torque Wrench Checker DIRECTION

 RoHS    FOR CHECKING    DIGITAL    MANUAL LOADING    DIRECT READING    JUDGEMENT

## Features

"Quick check" function now even more advanced. Comes with Pass/Fail Judgment color display, for easy result checking. Routine torque wrench inspections at line-side test stations are now easier and more accurate with Tohnichi's digital torque wrench checkers in the LC3/LC3-G line checker series.

- Different colored LCD display visibly notifies judgment results.
- Wide measurement range, reasonably priced, compact and high accuracy.
- Can read actual running torque (Patented).
- Built-in statistical processing functions.
- Statistical processing functions automatically calculate sample numbers and maximum, minimum and mean values.
- Hex adapters can be combined to test different sized open-end torque wrenches.
- Power source AC100V-240V±10% to cover international use.
- Battery pack is available as an option.
- Support use in the EU.
- With CE marking.
- We have experience manufacturing products with American units of measurement (lbf, in, etc.) for Japan's aircraft manufacturing industry and for export to the U.S., and products with metric units of measurement (kgf, cm, etc.) for export to other parts of the world.
- Excel Receiver software is a data input tool for Excel® data management. It can be downloaded for free. \*Note: Excel® is a registered trademark of the Microsoft Corporation.



LC200N3



LC1000N3



The color on the display panel indicates Pass or Fail. Easy recognition.  
White: Now evaluating - Blue: OK (Pass) - Red: NG (No good)

# Specifications

Accuracy ± 1%+1digit													
MODEL		LC20N3-G			LC200N3-G			LC1000N3-G		LC1400N3-G			
TORQUE RANGE [cN • m]	PEAK	50.0~99.8	100~999	1000~2000									
	1 DIGIT	0.2	1	10									
	RUN (Min~Max)	50.0~2000.0											
	1 DIGIT	0.2											
TORQUE RANGE [N • m]	PEAK	0.500~0.998	1.00~9.99	10.0~20.0	5.00~9.98	10.0~99.9	100~200	50.0~99.9	100~1000	100~999	1000~1400	—	
	1 DIGIT	0.002	0.01	0.1	0.02	0.1	1	0.1	1	1	10	—	
	RUN (Min~Max)	0.500~20.000			5.00~200.00			50.0~1000.0		100.0~1400.0			—
	1 DIGIT	0.002			0.02			0.1		0.2			—
TORQUE RANGE [kgf • cm]	PEAK	5.0~9.98	10.0~99.9	10~200	50.0~99.8	100~999	1000~2000						
	1 DIGIT	0.02	0.1	1	0.2	1	10						
	RUN (Min~Max)	5.0~200.0			50.0~2000.0								
	1 DIGIT	0.02			0.2								
TORQUE RANGE [kgf • m]	PEAK							5.0~9.99	10.0~100.0	10.0~99.9	100~140	—	
	1 DIGIT							0.01	0.1	0.1	1	—	
	RUN (Min~Max)							5.0~100.0		10.0~140.0		—	
	1 DIGIT							0.01		0.02		—	
TORQUE RANGE [lbf • in]	PEAK	5.0~9.98	10.0~99.9	100~174	50.0~99.8	100~999	100~1740	500~999	1000~8800	900~998	1000~9990	10000~12000	
	1 DIGIT	0.02	0.1	1	0.2	1	10	1	10	2	10	100	
	RUN (Min~Max)	5.0~174.0			50.0~174.0			500~8800		900~12000			
	1 DIGIT	0.02			0.2			1		2			
TORQUE RANGE [lbf • ft]	PEAK				4.00~9.98	10.0~99.9	100~140	36.8~99.9	100~735	75.0~99.8	100~1000		
	1 DIGIT				0.02	0.1	1	0.1	1	0.2	1		
	RUN (Min~Max)				4.00~140.00			36.8~735.0		75.0~1000.0			
	1 DIGIT				0.02			0.1		0.2			
INLET DRIVE □a [mm]		9.53			12.7			25.4					
DIMENSION [mm]	OVERALL LENGTH	278						500					
	OVERALL WIDTH	160						290		312			
	OVERALL HEIGHT	167						186					
WEIGHT [kg]		10.5						34		39			
ACCESSORIES [mm]	SOCKET ADAPTER	□9.5(MALE) - □6.35(FEMALE) No.270			□12.7(MALE) - □9.53(FEMALE) No.272			□19.05(MALE) - □12.7(FEMALE) No.274 □25.4(MALE) - □19.05(FEMALE) No.276					
	HEXAGON HEAD ADAPTER	□9.53 - W6.35			□12.7 - 8,10,12,13,14,17,19,22								
		For torque driver			No.280								
		□9.53 - W8,10,12,13,14,17 No.282											

<b>DISPLAY</b>	Black mask LCD (white • red • blue)
<b>DISPLAY DIGITS</b>	3-digit (PEAK) /5-digit (RUN)
<b>DATA MEMORY</b>	1000 data (Counter, Time, Torque Date)
<b>MEASUREMENT MODE</b>	PEAK/RUN
<b>ZERO ADJUSTMENT</b>	C key, Auto zero by Power OFF/ON
<b>UPPER/LOWER LIMIT VALUE SETTING</b>	10 settings
<b>DATE OUTPUT</b>	RS232C-compliant and USB (B-type) connectors for serial communication
<b>MEMORY/RESET</b>	Manual/Auto [Changeable in the range from 0.1 to 5.0 sec.]
<b>OPERATING TEMPERATURE RANGE [°C]</b>	0~40 (no condensation)
<b>POWER AC [V]</b>	100~240 ±10.% 50/60Hz

## Standard accessories

### Hexagon Head Adapter

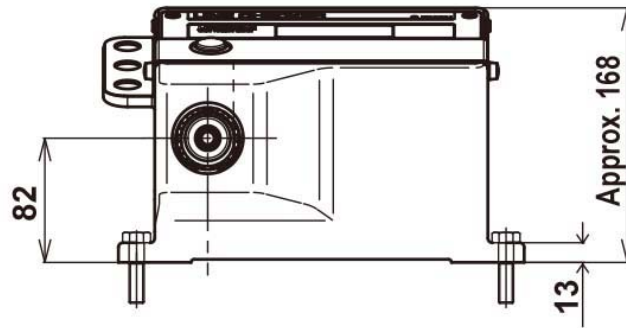
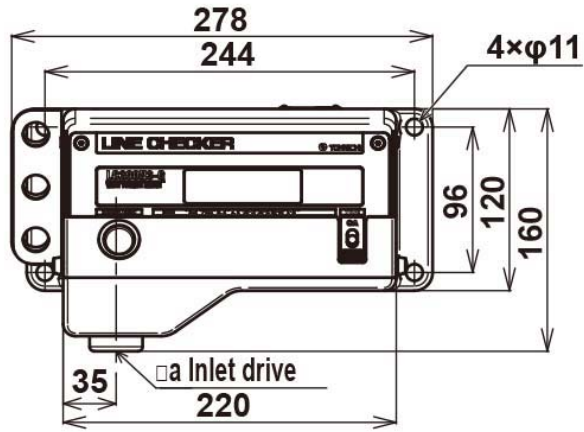
Part #	Applicable Model	Square Drive [mm]	Hex Size (Male) [mm]
282	LC20N3-G	9.5	8, 10, 12, 13, 14, 17
280	LC200N3-G	12.7	8, 10, 12, 13, 14, 17, 19, 22

### Socket Adapter

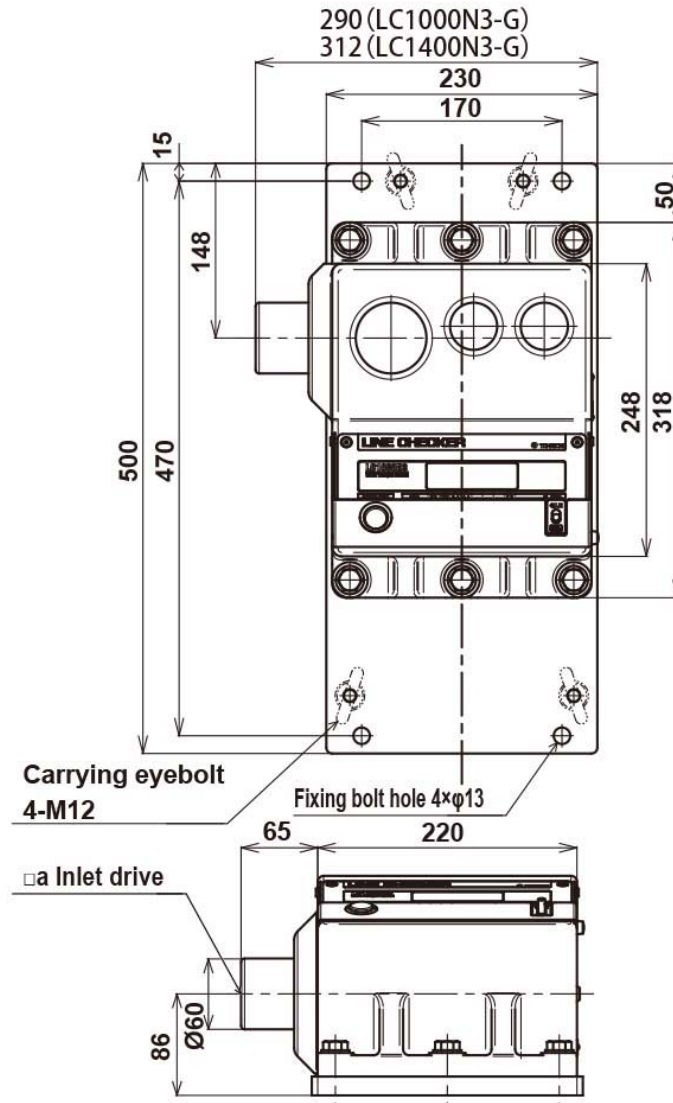
Part #	Applicable Model	Inlet Drive [mm]	Hex Size (Male) [mm]
1282	LC20N3-G	6.35	9.5
1280	LC200N3-G	9.5	12.7
274	LC1000N3-G	12.7	19.0
276	LC1400N3-G	19.0	25.4

## Dimensions

---



LC20N3, LC200N3



LC1000N3, LC1400N3

# Accessories

---



**Connecting Cable 383**