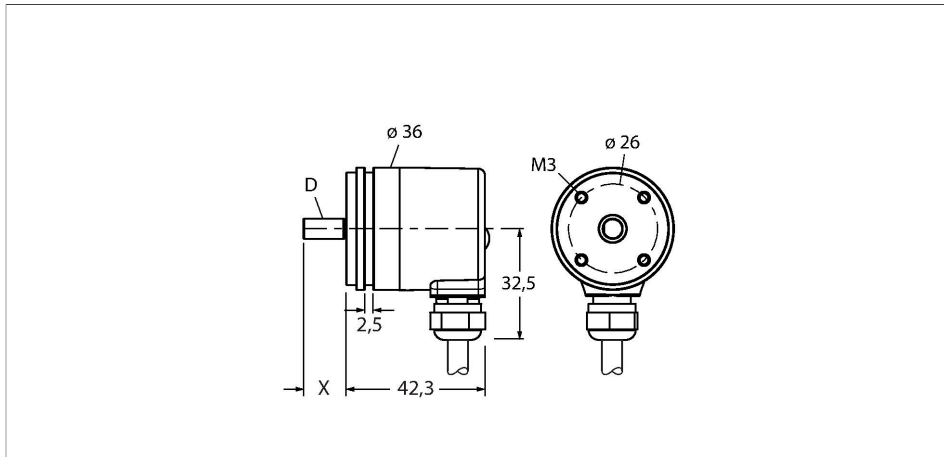


RS-54S6S-5B9B-C 1M

Absolute Rotary Encoder - Single-Turn Industrial Line



Features

- Synchro flange, Ø 36 mm
- Solid shaft, Ø 6 mm × 12.5 mm
- Magnetic measuring principle
- Shaft material: stainless steel
- Protection class IP67
- -40...+85 °C
- Max. 6000 rpm
- 5...30 VDC
- SSI, binary
- Cable connection, 8-pin
- 360° resolved in 9 bit (512 positions)

Technical data

Type	RS-54S6S-5B9B-C 1M
ID	1545231
Measuring principle	Magnetic
General data	
Max. Rotational Speed	6000 rpm
Starting torque	< 0.06 Nm
Measuring range	0...360 °
Output type	Absolute singleturn
Resolution singleturn	9 Bit
Electrical data	
Operating voltage	5...30 VDC
No-load current	41 mA
Output current	≤ 30 mA
Short-circuit protection	yes
Wire breakage/Reverse polarity protection	yes
Communication protocol	SSI
Output function	8-wire, Binary coded
Mechanical data	
Design	Solid shaft
Flange type	Synchro flange
Flange diameter	Ø 36 mm
Shaft Type	Solid shaft
Shaft diameter D [mm]	6

Wiring diagram

	WH	0V	
	BN	U _B	+
	BU	0V sens	
	RD	U _B sens	+
	GN	T	+
	YE	T	-
	GY	D	+
	PK	D	-

Technical data

Shaft Length L [mm]	12.5
	Shaft with flat
Shaft material	Stainless steel
Housing material	Die-cast zinc
Electrical connection	Cable
	radial
cable length	1 m
Axial shaft load	20 N
Radial shaft load	40 N
Environmental conditions	
Ambient temperature	-40...+85 °C
Vibration resistance (EN 60068-2-6)	10...2000 Hz, 300 m/s ² - rms
Shock resistance (EN 60068-2-27)	5000 m/s ² , 6 ms
Protection class housing	IP67
Protection class shaft	IP67

Signal	Gnd	+U _B	GND _{Sens}	+U _B sens	C+	C-	D+	D-	-
Core color	WH	BN	BU	RD	GN	YE	GY	PK	-